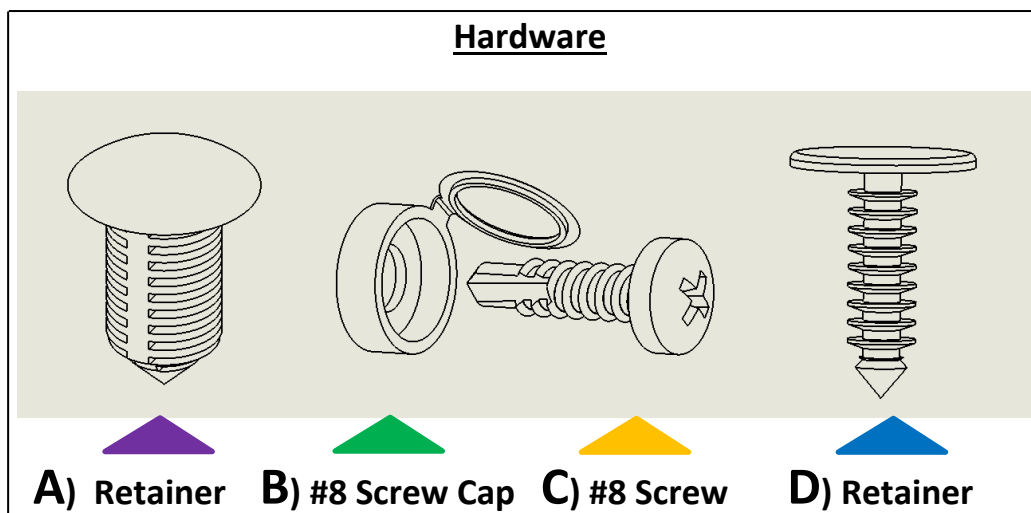


PROMASTER 159" WB HIGH ROOF WALL LINERS INSTALLATION INSTRUCTIONS

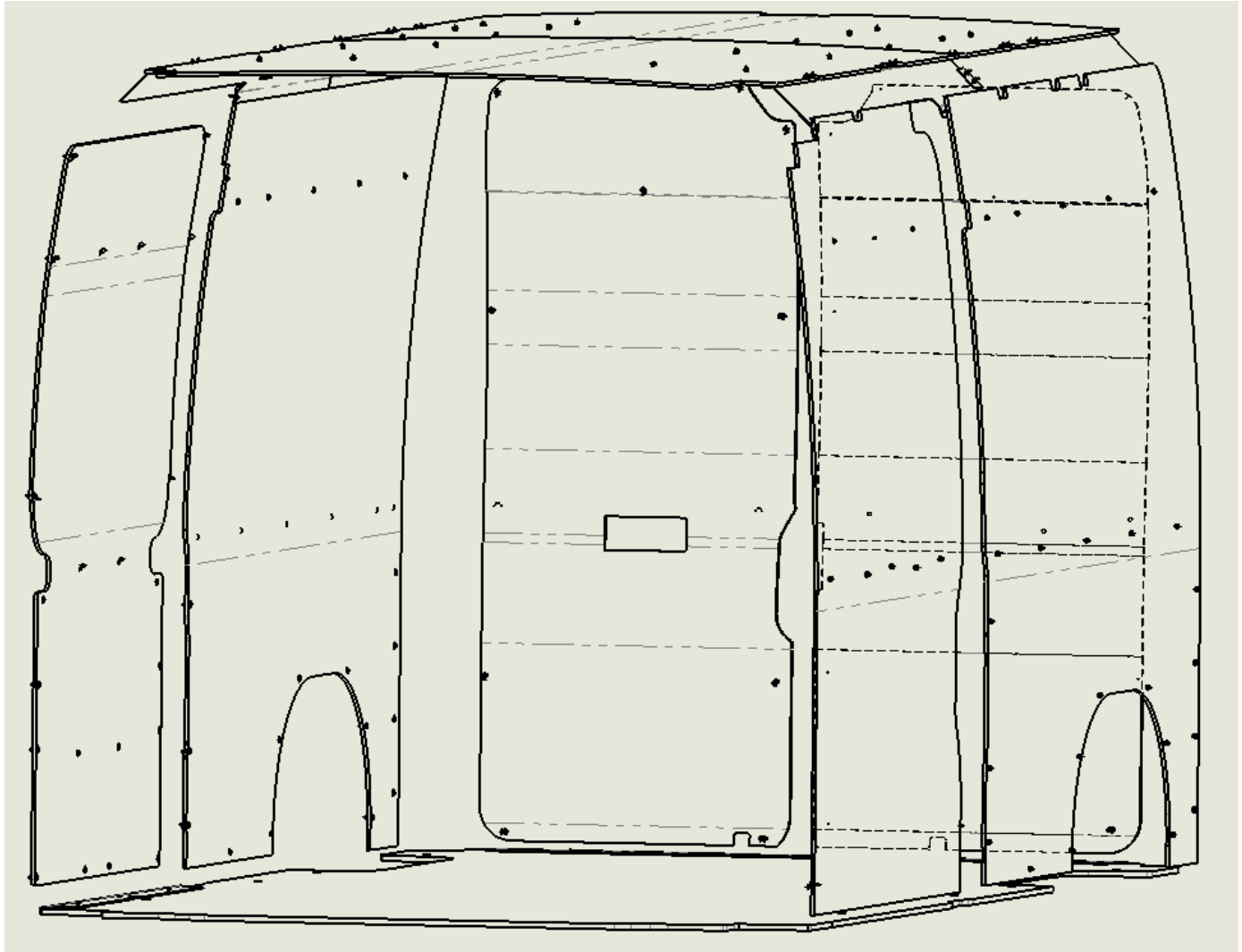


NOTES:

1. Before commencing, remove all wall liners and "D" Rings already installed in the vehicle.
2. Consult layout PDF and compare vehicle layout allocated Legend.
3. Prepare hardware shown below and have them ready for installation.
4. Wall liners will be installed in the order shown in the instructions.
5. A drill with a Phillips driver is required to install hardware (**C**) #8 Screws, shown below.
6. Reinstall all "D" Rings once the wall liner kit installation is completed.



PROMASTER 159" WB HIGH ROOF WALL LINERS

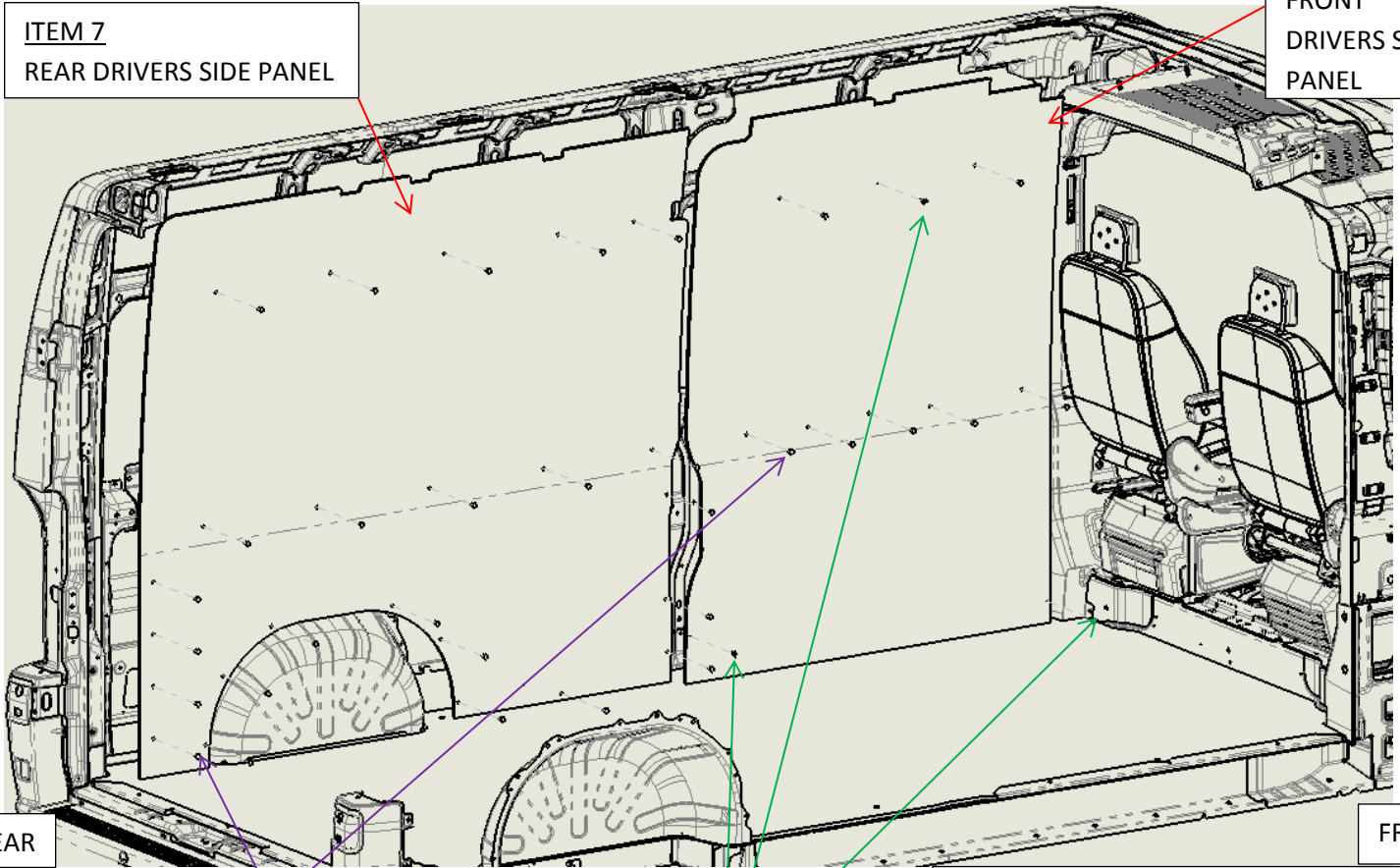


ITEM NO.	PART NUMBER	DESCRIPTION	QTY.
1	645-114-2613	GREY CEILING FRONT PANEL PROMASTER 159" WB	1
2	645-114-2613	GREY CEILING REAR PANEL PROMASTER 159" WB	1
3	RETAINER	RETAINER- BLACK NYLON	92
4	633-114-2613	GREY SLIDING DOOR PANEL PROMASTER 159" WB HR	1
5	SCREW CAP	SCREW CAP	33
6	SCREW	SCREW - PHIL. PAN HD #8X.75 SELF DRILLING	69
7	644-114-2613	GREY REAR WALL PANEL DRIVER SIDE PROMASTER 159" WB HR	1
8	644-114-2613	GREY FRONT WALL PANEL DRIVER SIDE PROMASTER 159" WB HR	1
9	647-151-1010	FRONT CEILING SILL DRIVER SIDE PROMASTER 159" WB HR	1
10	647-151-1010	REAR CEILING SILL DRIVER SIDE PROMASTER 159" WB HR	1
11	647-151-1010	CEILING SILL JOINER PLATE	2
12	644-114-2613	GREY REAR WALL PANEL PASSENGER SIDE PROMASTER 159" WB HR	1
13	647-151-1010	FRONT CEILING SILL PASSENGER SIDE PROMASTER 159" WB HR	1
14	647-151-1010	REAR CEILING SILL PASSENGER SIDE PROMASTER 159" WB HR	1
15	633-114-2613	GREY REAR DOOR PANEL PASSENGER SIDE PROMASTER 159" WB HR	1
16	633-114-2613	GREY REAR DOOR PANEL DRIVER SIDE PROMASTER 159" WB HR	1
17	642-162-6341	FLOOR - PROMASTER 159 WB	1
18	608-151-1010	REAR DOOR FLOOR SILL PROMASTER 159 WB	1
19	606-151-1010	SIDE DOOR FLOOR SILL PROMASTER 159 WB	1

Driver Side Wall Liner Installation

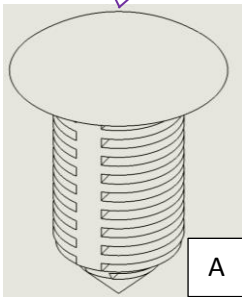
ITEM 7
REAR DRIVERS SIDE PANEL

ITEM 8
FRONT
DRIVERS SIDE
PANEL

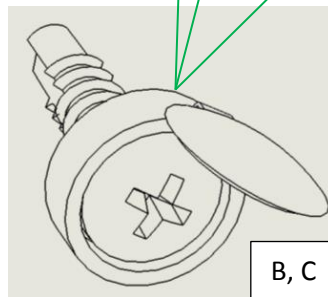


REAR

FRONT

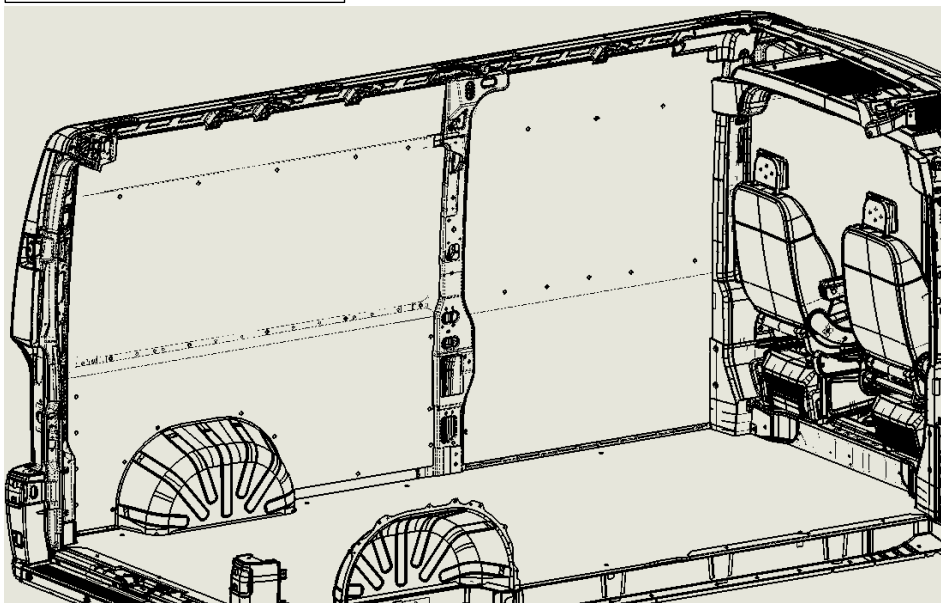


A



B, C

Installation completed



1: Install Item 8, Front Driver Side Panel.

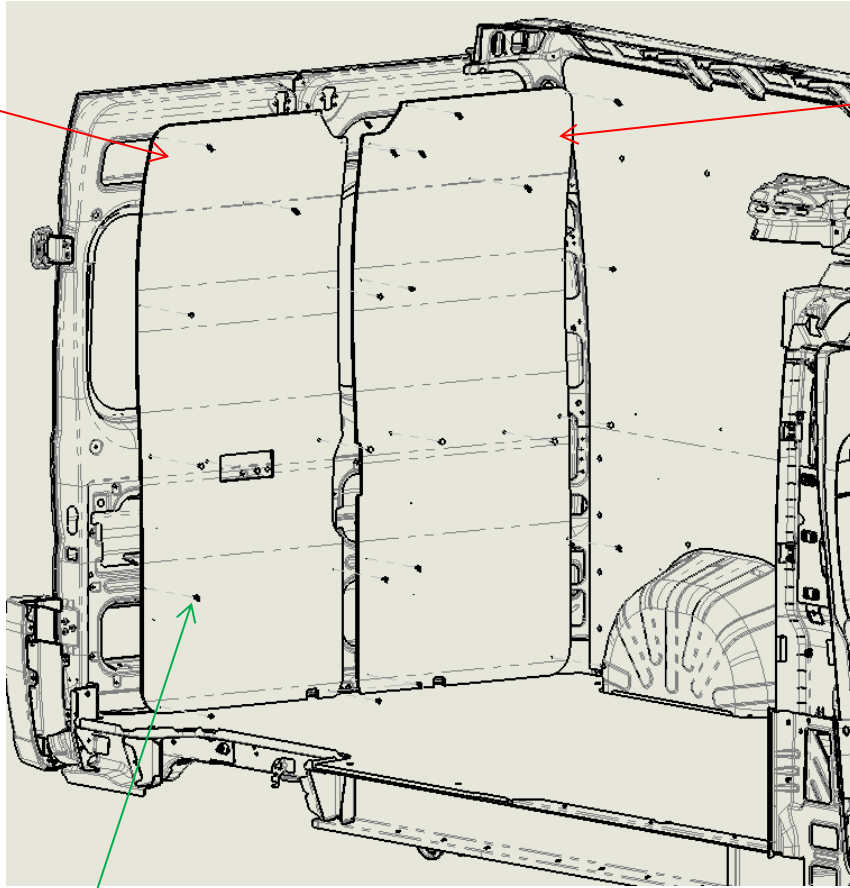
- Align notch and edge of panel with the feature on the vehicle driver side front then align opposite side of panel edge with the contour features.
- Install hardware (A) and (B,C), in the holes provided, on the bottom of the panel first, working your way up the panel to the top.

2: Install Item 7, Rear Driver Side Panels.

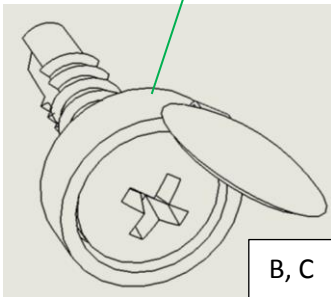
- Align wheel well edge of the panel with the feature on the vehicle; position the contour of the panel to the vehicle wall.
- Install hardware (A), in the holes provided, on the bottom of the panel first, working your way up the panel to the top.

Back Door Wall Liner Installation

ITEM 15
REAR DOOR
PASSENGER SIDE
PANEL



ITEM 16
REAR DOOR
DRIVERS SIDE
PANEL



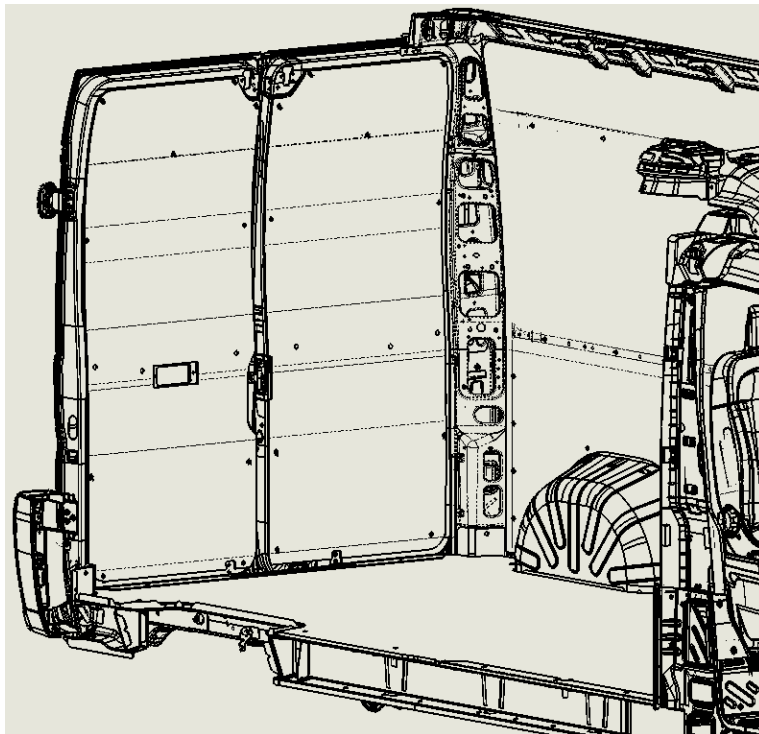
B, C

3: Install Item 15 and 16, Upper door panels,

Note: Rear doors must be closed when installing door panels.

- Align the panels with the upper door contours, do not mount tight against the door seals.
- Install hardware (B, C), in the holes provided, on the top of the panel first, working your way down the panel to the bottom.

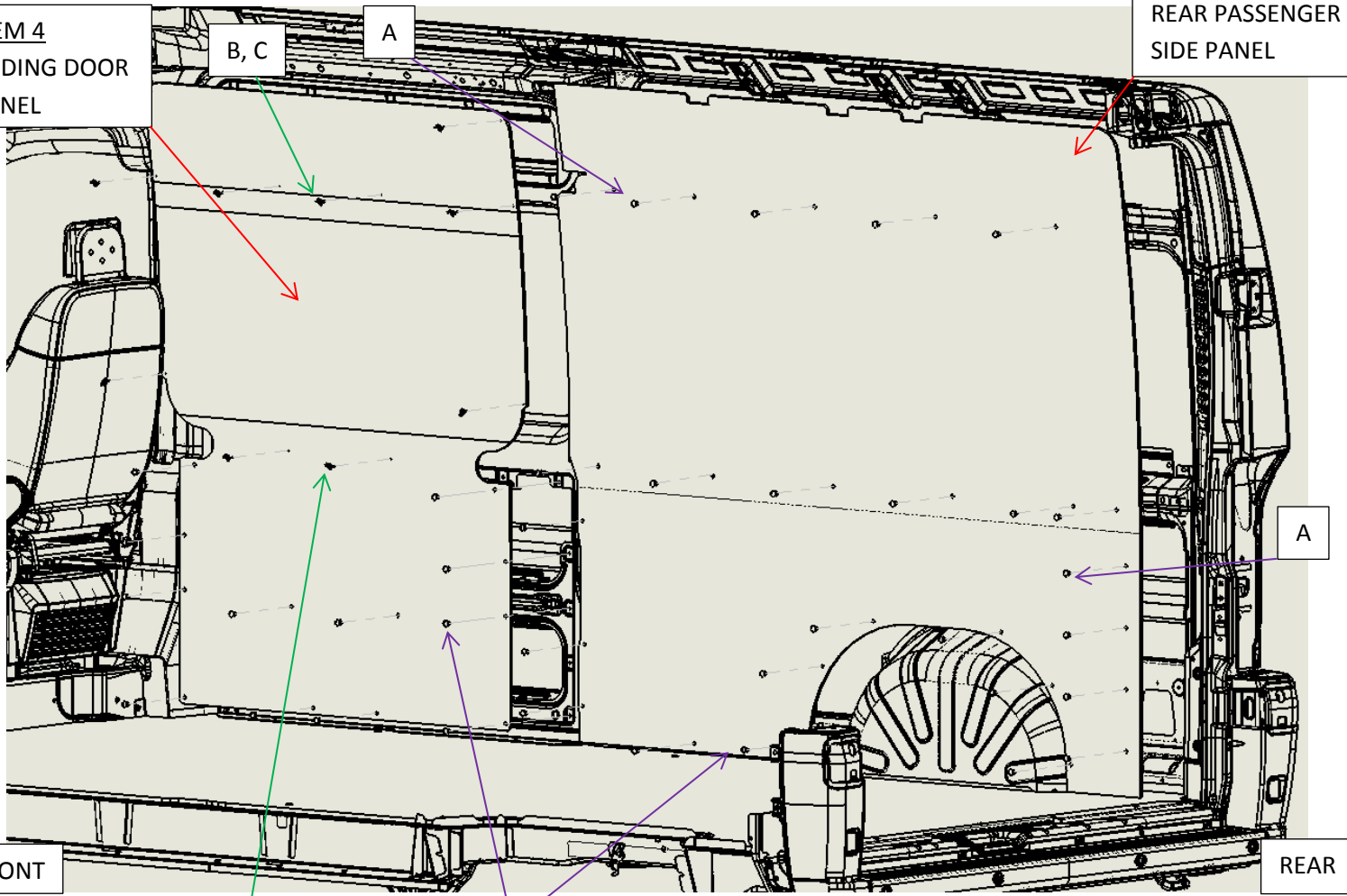
Installation completed



Passenger Side Wall Liner Installation

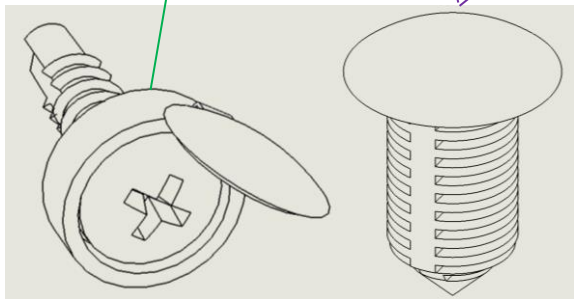
ITEM 4
SLIDING DOOR
PANEL

ITEM 12
REAR PASSENGER
SIDE PANEL



FRONT

REAR



4: Install Item 12, Rear Passenger Side Panel.

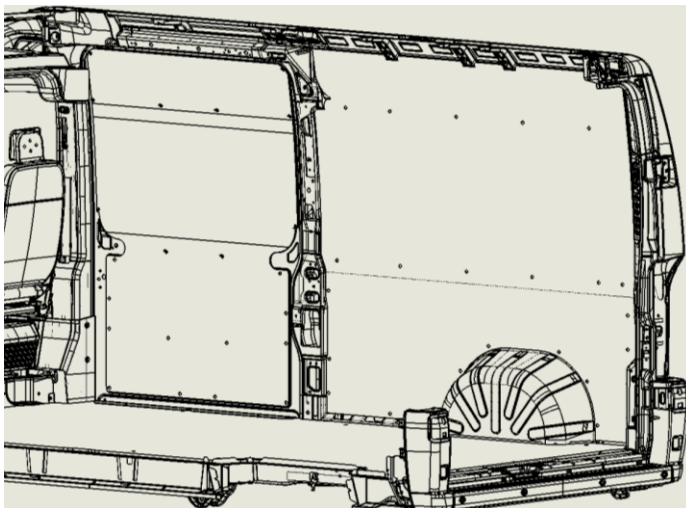
- Align wheel well edge of the panel with the feature on the vehicle; position the contour of the panel to the vehicle wall.
- Install hardware (A), in the holes provided, on the bottom of the panel first, working your way up the panel to the top.
- Install Item 4, Sliding Door Panel.
- Install hardware (A), in the holes.

5: Install Item 4, Sliding Door Panel.

First remove OEM bottom panel.

Note: Sliding door must be closed to install panel;

- Insert panel into the sliding door sill cavity, align holes at the bottom half of the panel to the one on the door and insert hardware (A) in all of the holes provided.
- Install hardware (B, C) in the holes provided in the middle to the top part of the panel; make sure the panel does not interfere with the door seal..

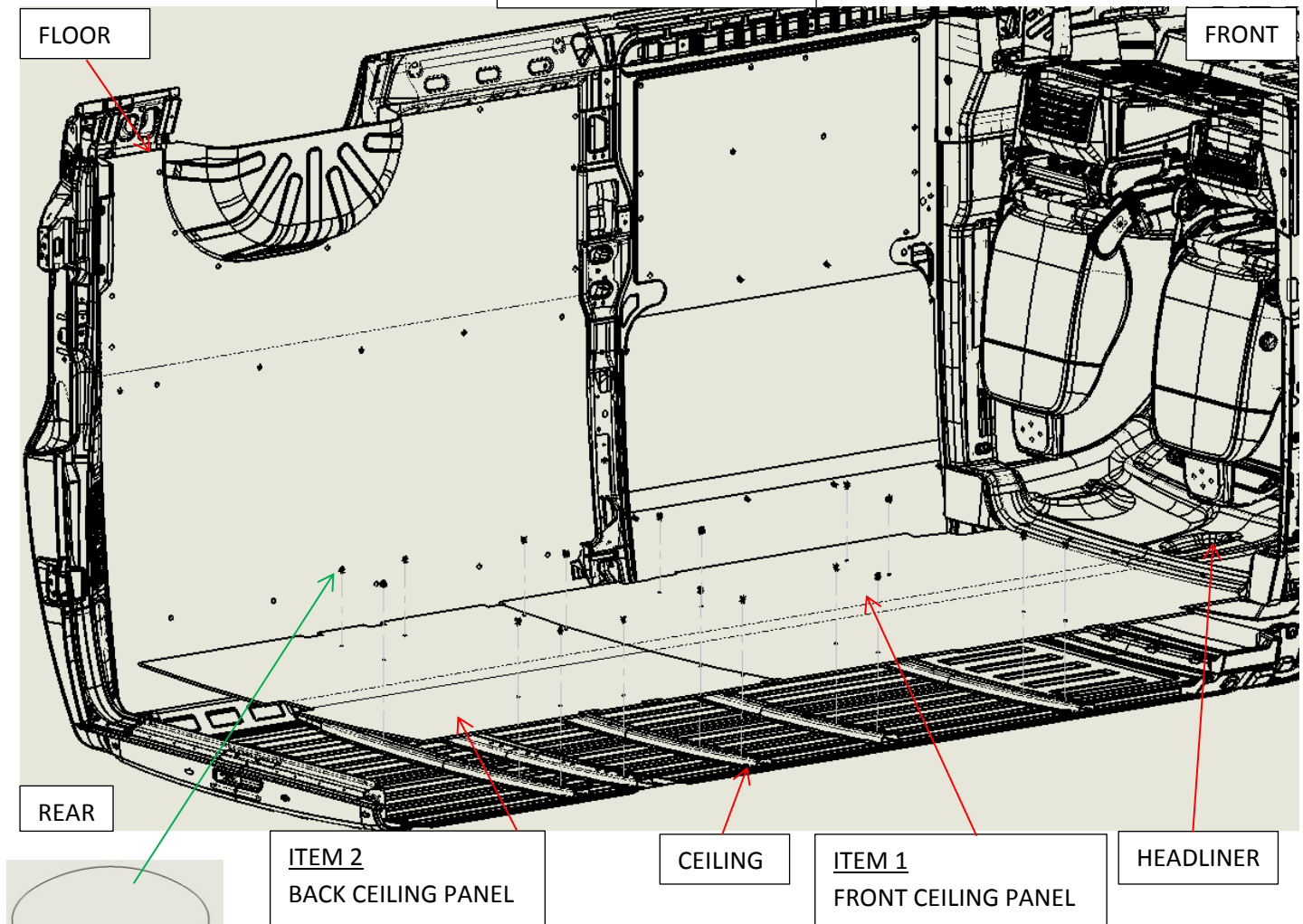


FRONT

REAR

Ceiling Liner Installation

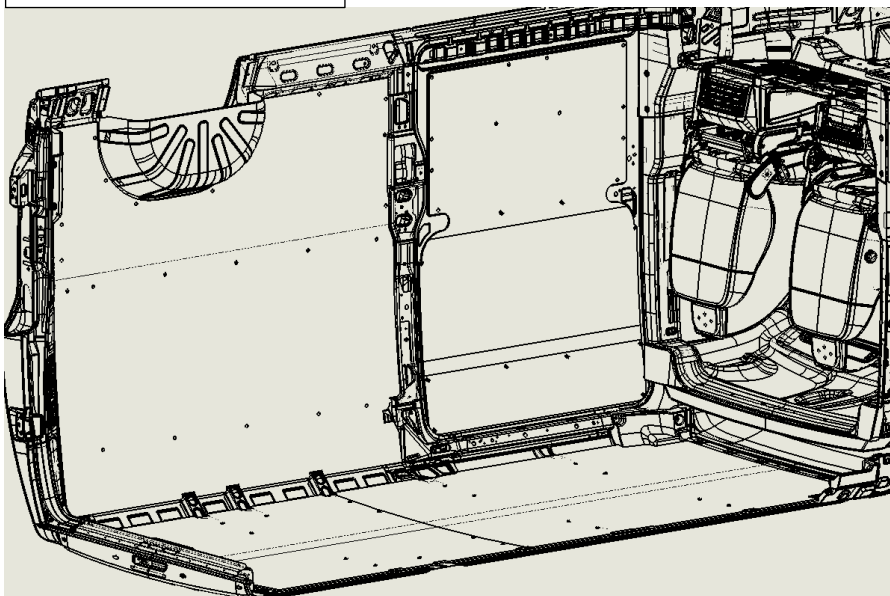
VEHICLE IS UPSIDE DOWN



6: Install Item 1, Front Ceiling Panel.

- Align Ceiling panel with the feature on the vehicle in the front, insert the front of the panel between the headliner and the roof.
- Align the outside holes at the center of the panel with the holes in the ceiling cross bows and install hardware (A) on each side; this will align the panel with the ceiling.
- Push the panel against the ceiling and install hardware (A), in the holes provided starting from the front working your way towards the rear.
- Install Item 2, Back Ceiling Panel.
- Push the panel against the ceiling and install hardware (A), in the holes provided

Installation completed



Ceiling Sills Installation

VEHICLE IS UPSIDE DOWN

PASSENGER SIDE

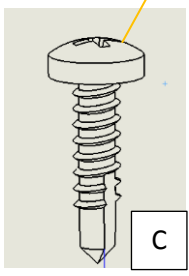
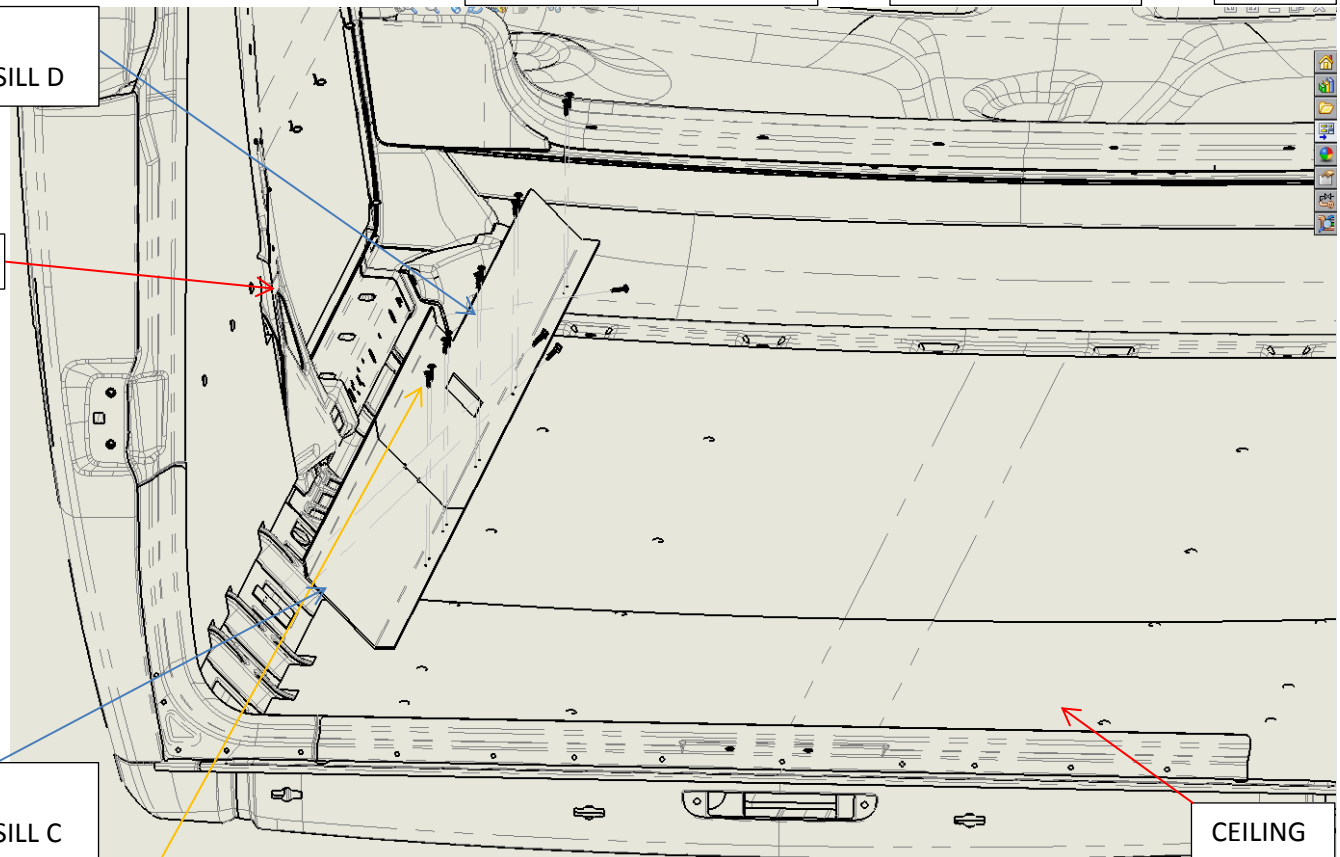
FRONT

ITEM 13
CEILING SILL D

WALL

ITEM 14
CEILING SILL C

CEILING



7: Assemble Item 13 and item 14 together with the Item 11, Sill Joining Plate (SHOWN BELOW), with hardware (C) in the holes provided.

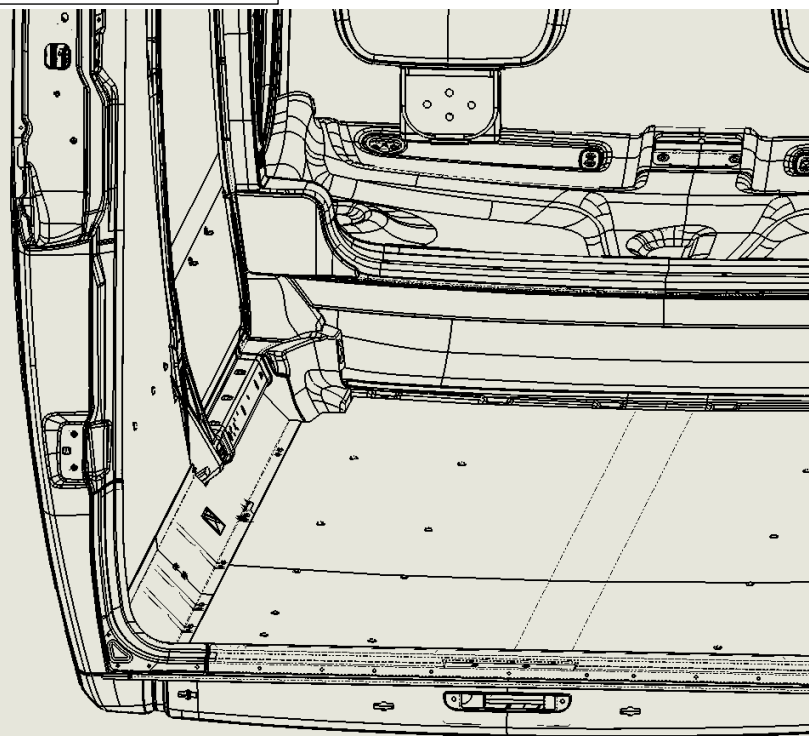
FOR DRIVER SIDE

- Assemble Item 9 and item 10 together with the Item 9, Sill Joining Plate (SHOWN BELOW), with hardware (C) in the holes provided.

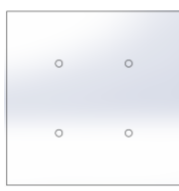
FOR PASSENGER SIDE

- Install the Sill assemblies on the Driver side as well as on the Passenger side using hardware (C) in the holes provided on the Sills.

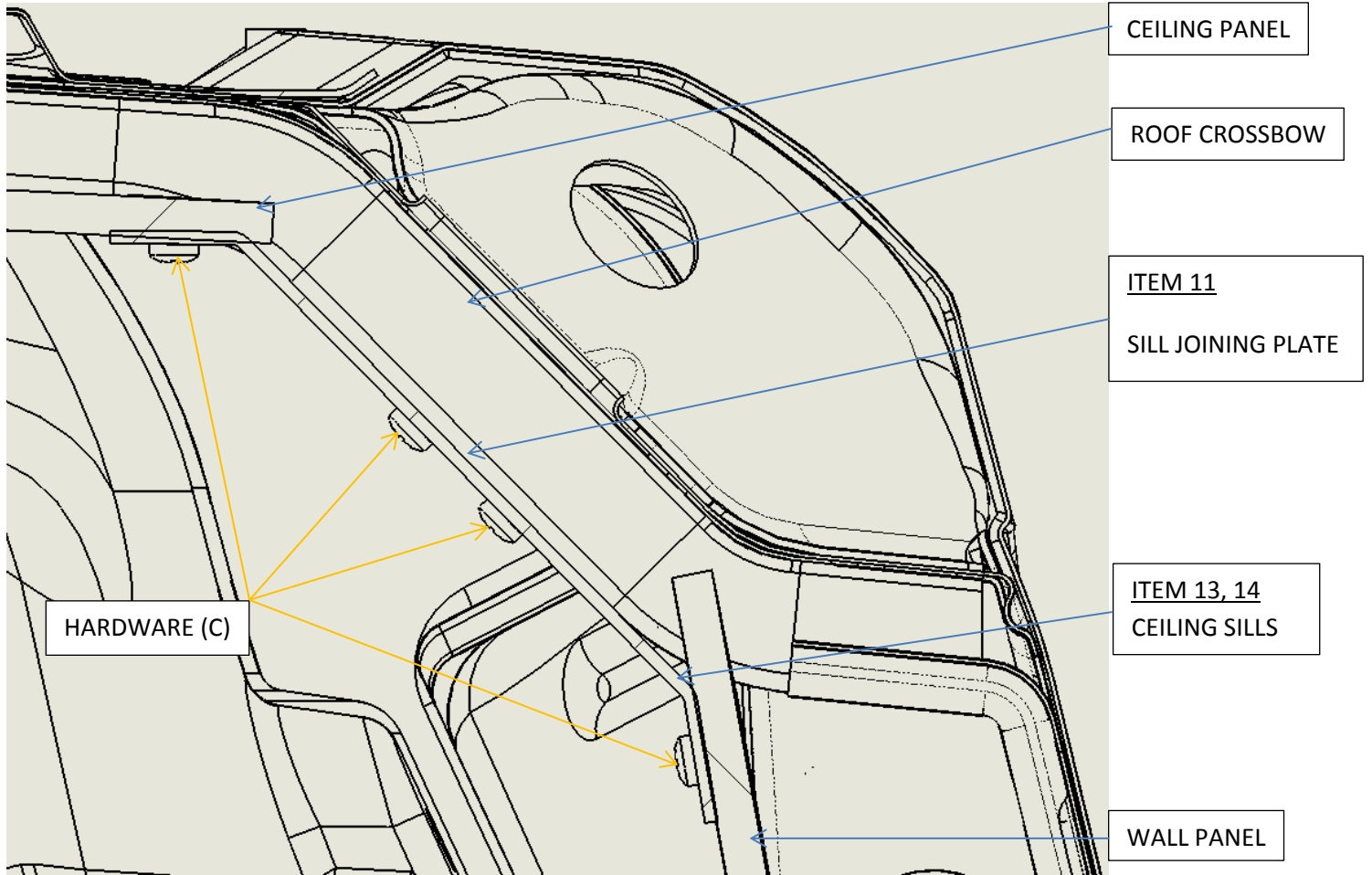
Installation completed



ITEM 11
SILL JOINING PLATE

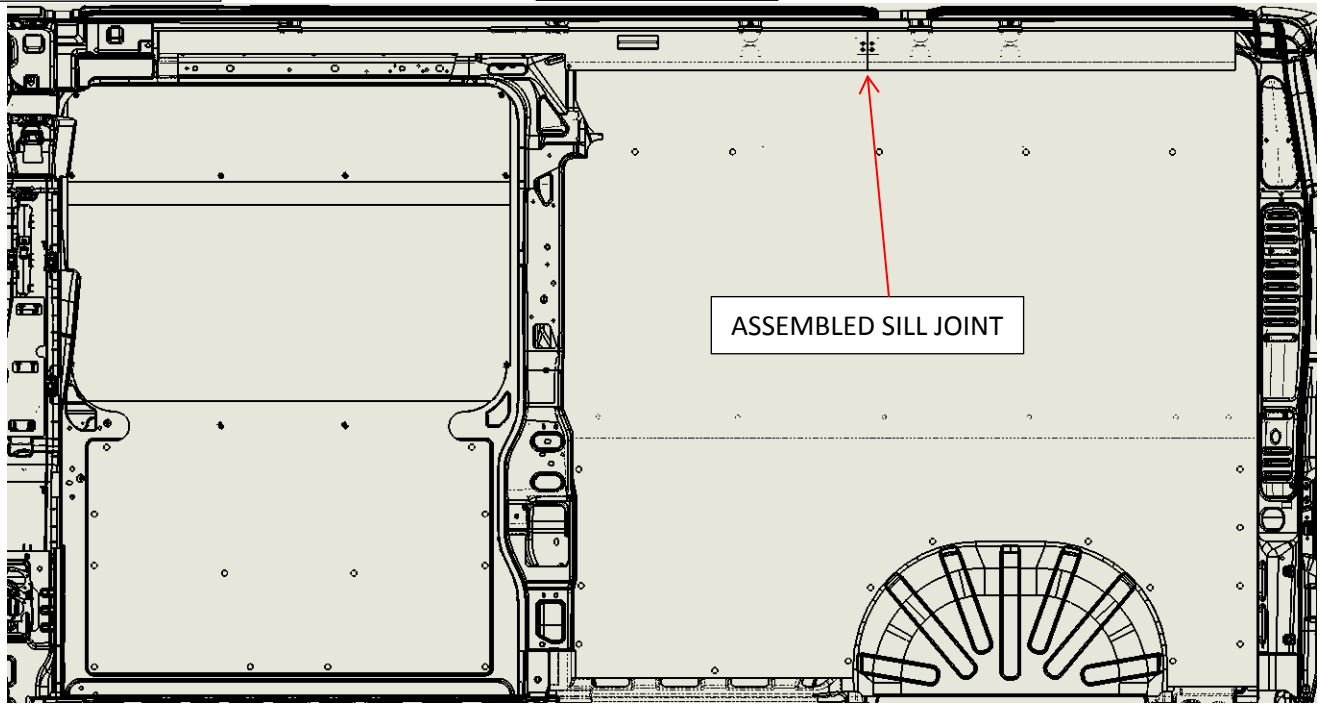


Ceiling Sills Installation Details

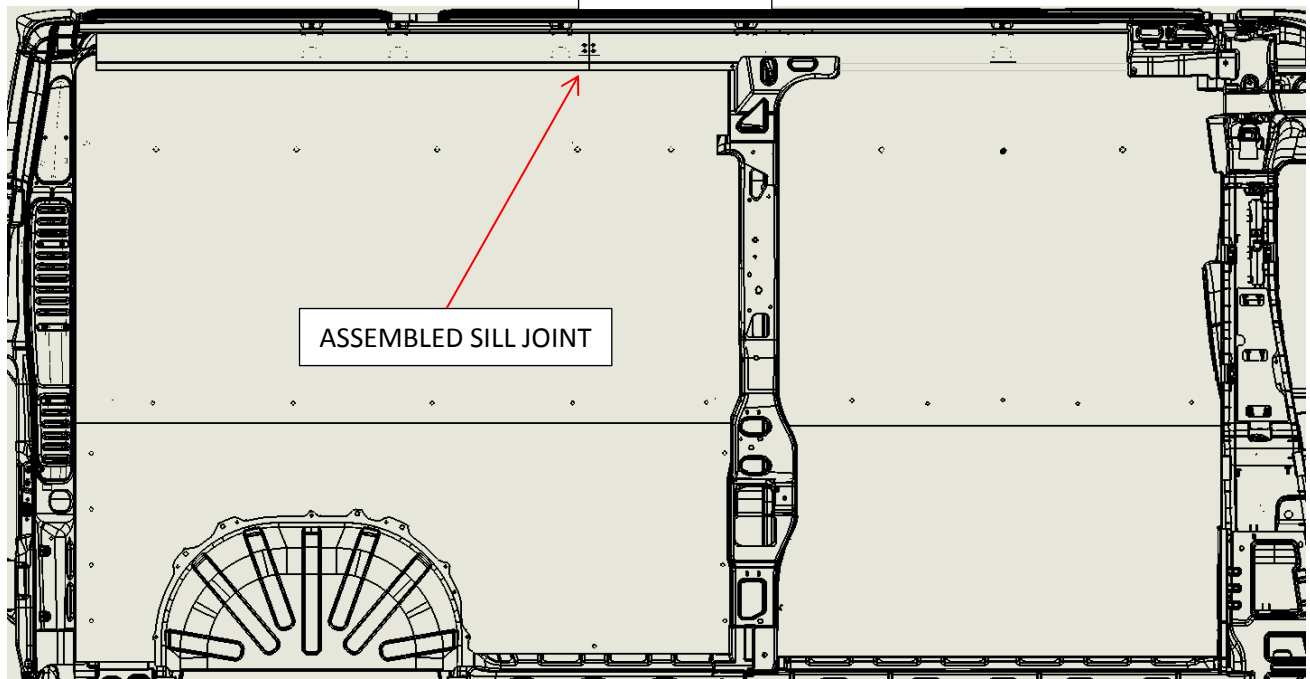


Installation completed

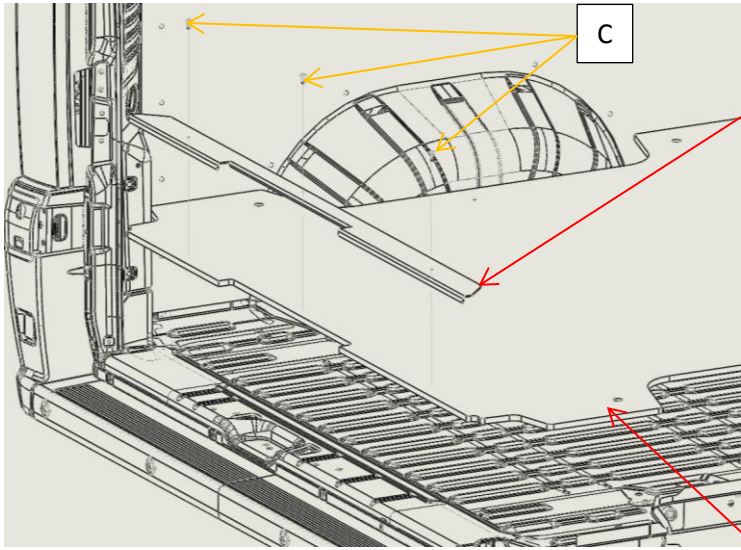
PASSENGER SIDE



DRIVER SIDE



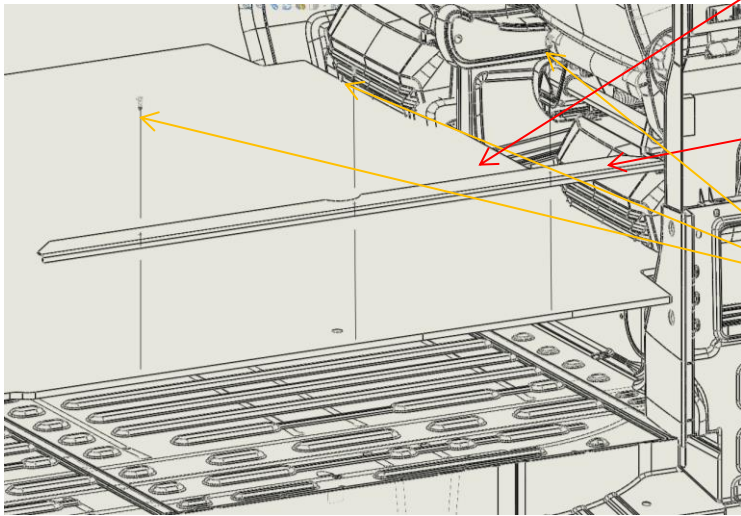
Floor and Floor Sill Installation



ITEM 18
FLOOR SILL – REAR DOOR

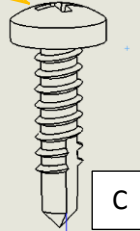
8: Install Items 17, FLOOR and Items 18, 19 FLOOR SILLS.

- Install floor inside the vehicle.
- Align the floor sills in their proper location with the floor edges and install hardware (c).



ITEM 17
FLOOR

ITEM 19
FLOOR SILL – SLIDING DOOR



C

Installation completed

