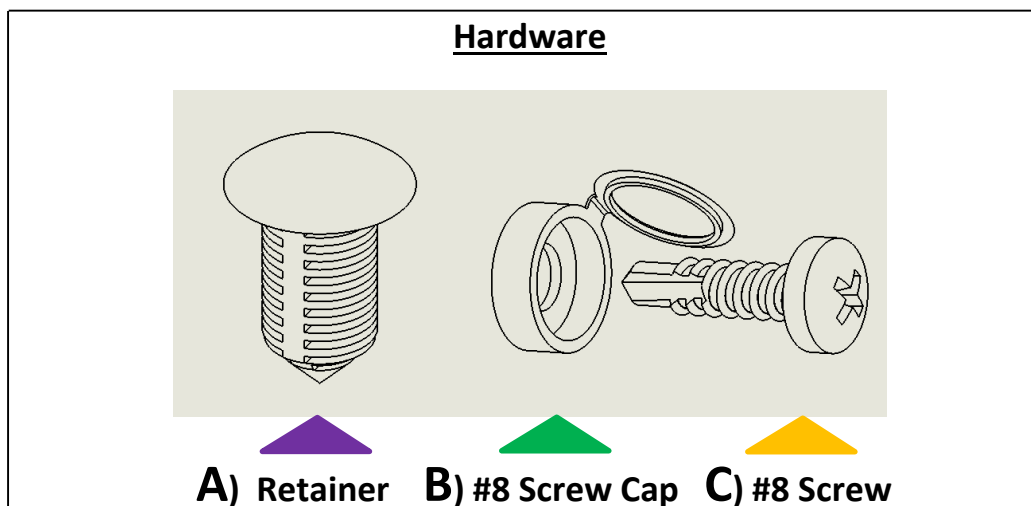


## PROMASTER 159" EXT. WB HIGH ROOF WALL LINERS INSTALLATION INSTRUCTIONS

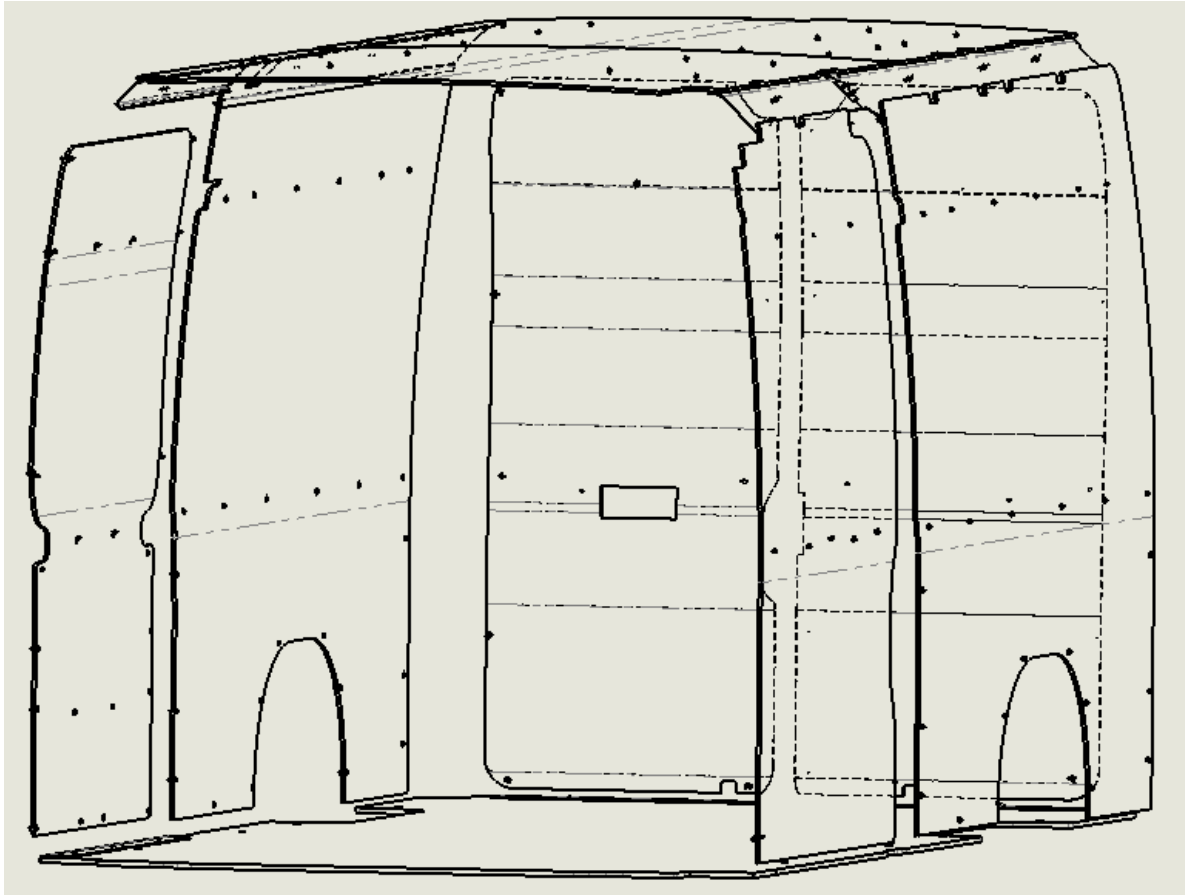


### NOTES:

1. Before commencing, remove all wall liners and "D" Rings already installed in the vehicle.
2. Consult layout PDF and compare vehicle layout allocated Legend.
3. Prepare hardware shown below and have them ready for installation.
4. Wall liners will be installed in the order shown in the instructions.
5. A drill with a Phillips driver is required to install hardware ( **C** ) #8 Screws, shown below.
6. Reinstall all "D" Rings once the wall liner kit installation is completed.



# PROMASTER 159" EXT. WB HIGH ROOF WALL LINERS



ITEM NO.	PART NUMBER	DESCRIPTION	QTY.
1	654-114-2613	GREY FRONT WALL PANEL DRIVER SIDE PROMASTER 159" EXT WB HR	1
2	654-114-2613	GREY REAR WALL PANEL DRIVER SIDE PROMASTER 159" EXT. WB HR	1
3	657-151-1010	SILL "D" PROMASTER 159" EXT. WB HR	1
4	657-151-1010	SILL "C" PROMASTER 159" EXT. WB HR	1
5	RETAINER	RETAINER- BLACK NYLON	97
6	SCREW CAP	SCREW CAP	33
7	SCREW	SCREW - PHIL. PAN HD #8X.75 SELF DRILLING	72
8	657-151-1010	JOINER PLATE- CEILING SILL	2
9	654-114-2613	GREY REAR WALL PANEL PASSENGER SIDE PROMASTER 159" EXT. WB HR	1
10	657-151-1010	SILL "A" PROMASTER 159" EXT. WB HR	1
11	657-151-1010	SILL "B" PROMASTER 159" EXT. WB HR	1
12	655-114-2613	GREY CEILING FRONT PANEL PROMASTER 159" EXT. WB HR	1
13	655-114-2613	GREY CEILING REAR PANEL PROMASTER 159" EXT. WB HR	1
14	653-114-2613.HR	GREY SLIDING DOOR PANEL PROMASTER 159" EXT. WB HR	1
15	653-114-2613.HR	GREY REAR DOOR PANEL PASSENGER SIDE PROMASTER 159" EXT. WB HR	1
16	653-114-2613.HR	GREY REAR DOOR PANEL DRIVER SIDE PROMASTER 159" EXT. WB HR	1
17	652-XXX-6641	FLOOR - PROMASTER 159 EXT. WB	1
18	608-151-1010	REAR DOOR FLOOR SILL PROMASTER	1
19	606-151-1010	SIDE DOOR FLOOR SILL PROMASTER	1

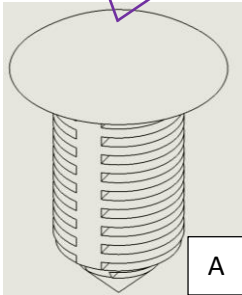
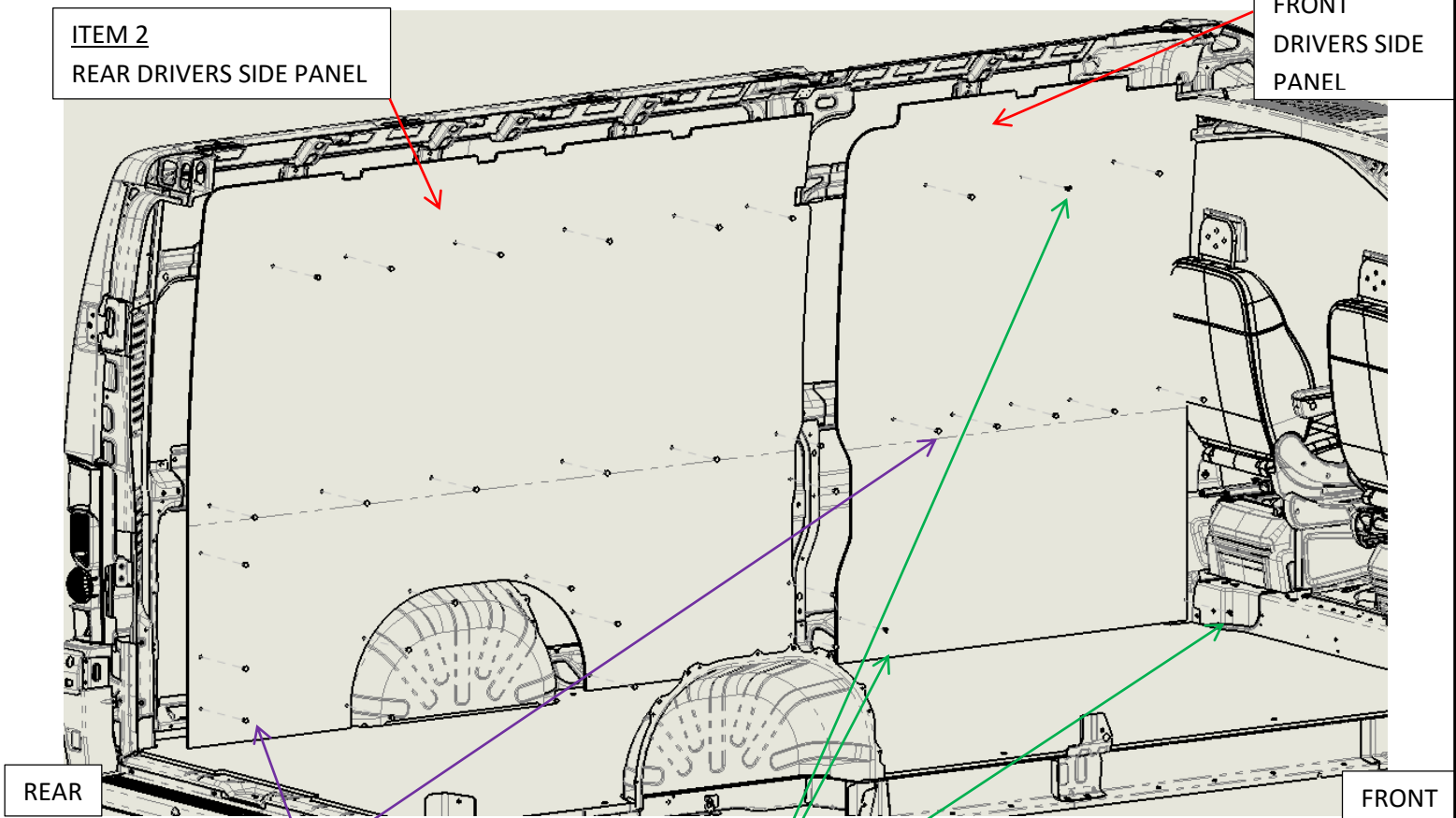
## Note:

Model may differ depending if the vehicle purchased came with an OEM partition or not.

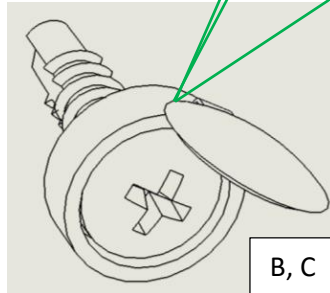
## Driver Side Wall Liner Installation

ITEM 2  
REAR DRIVERS SIDE PANEL

ITEM 1  
FRONT  
DRIVERS SIDE  
PANEL

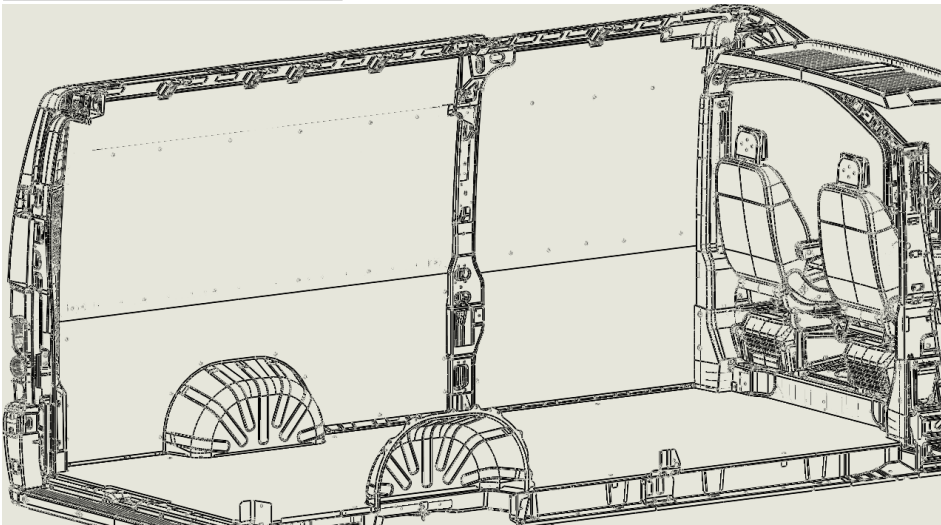


A



B, C

Installation completed



**1:** Install Item 1, Front Driver Side Panel.

- Align notch and edge of panel with the feature on the vehicle driver side front then align opposite side of panel edge with the contour features.
- Install hardware (A) and (B,C), in the holes provided, on the bottom of the panel first, working your way up the panel to the top.

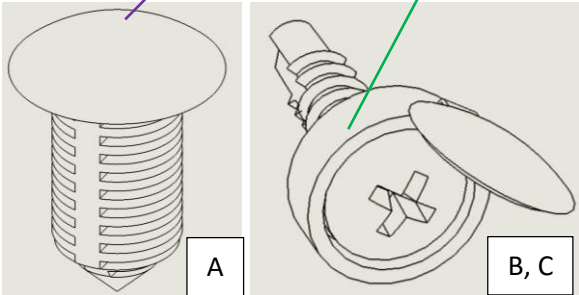
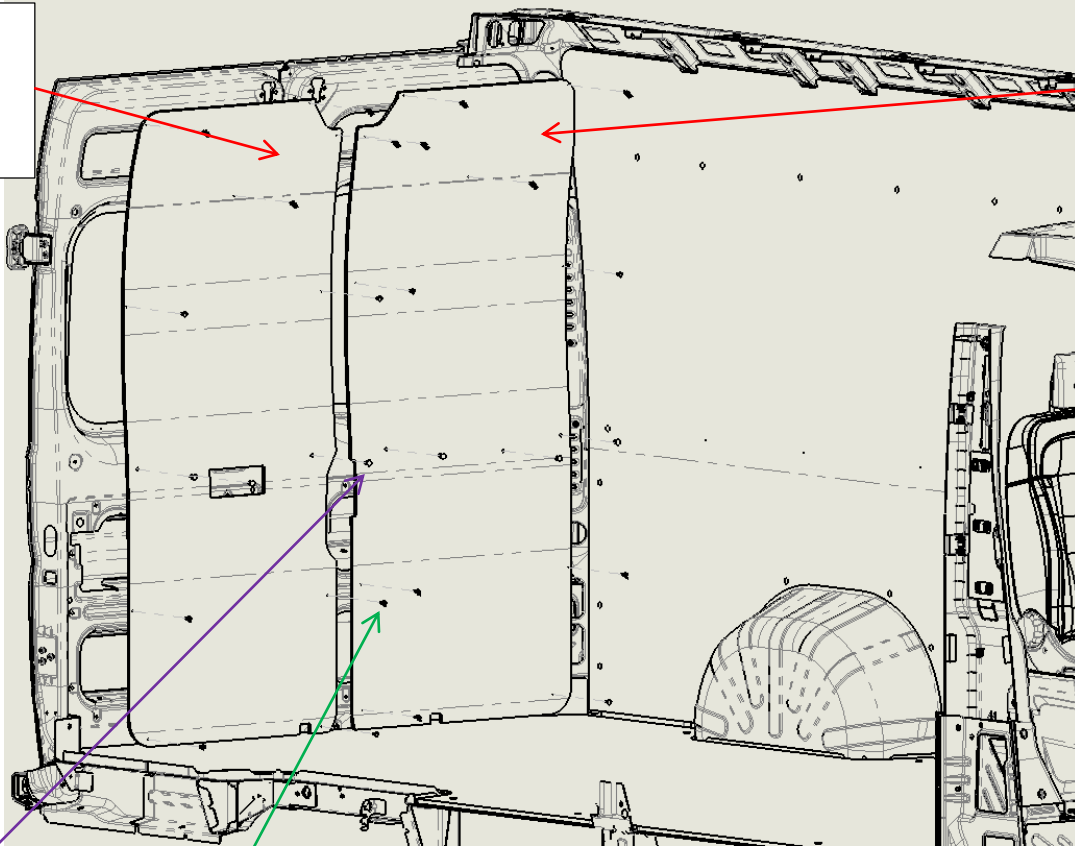
**2:** Install Item 2, Rear Driver Side Panels.

- Align wheel well edge of the panel with the feature on the vehicle; position the contour of the panel to the vehicle wall.
- Install hardware (A), in the holes provided, on the bottom of the panel first, working your way up the panel to the top.

## Back Door Wall Liner Installation

ITEM 15  
REAR DOOR  
PASSENGER SIDE  
PANEL

ITEM 16  
REAR DOOR  
DRIVERS SIDE  
PANEL

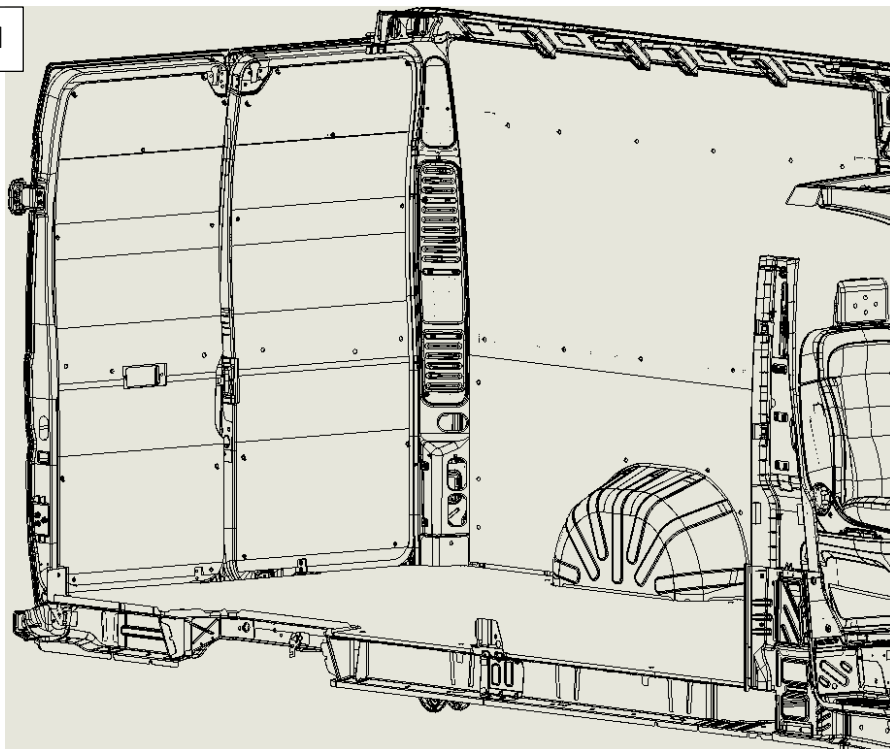


**3:** Install Item 15 and 16, Rear door panels,

**Note:** Rear doors must be closed when installing door panels.

- Align the panels with the upper door contours, do not mount tight against the door seals.
- Install hardware (A) first in the holes provided, this will align the panel then install hardware (B, C) on the top of the panel first, working your way down the panel to the bottom.

Installation completed

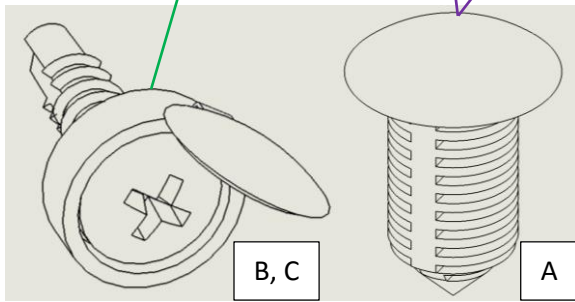
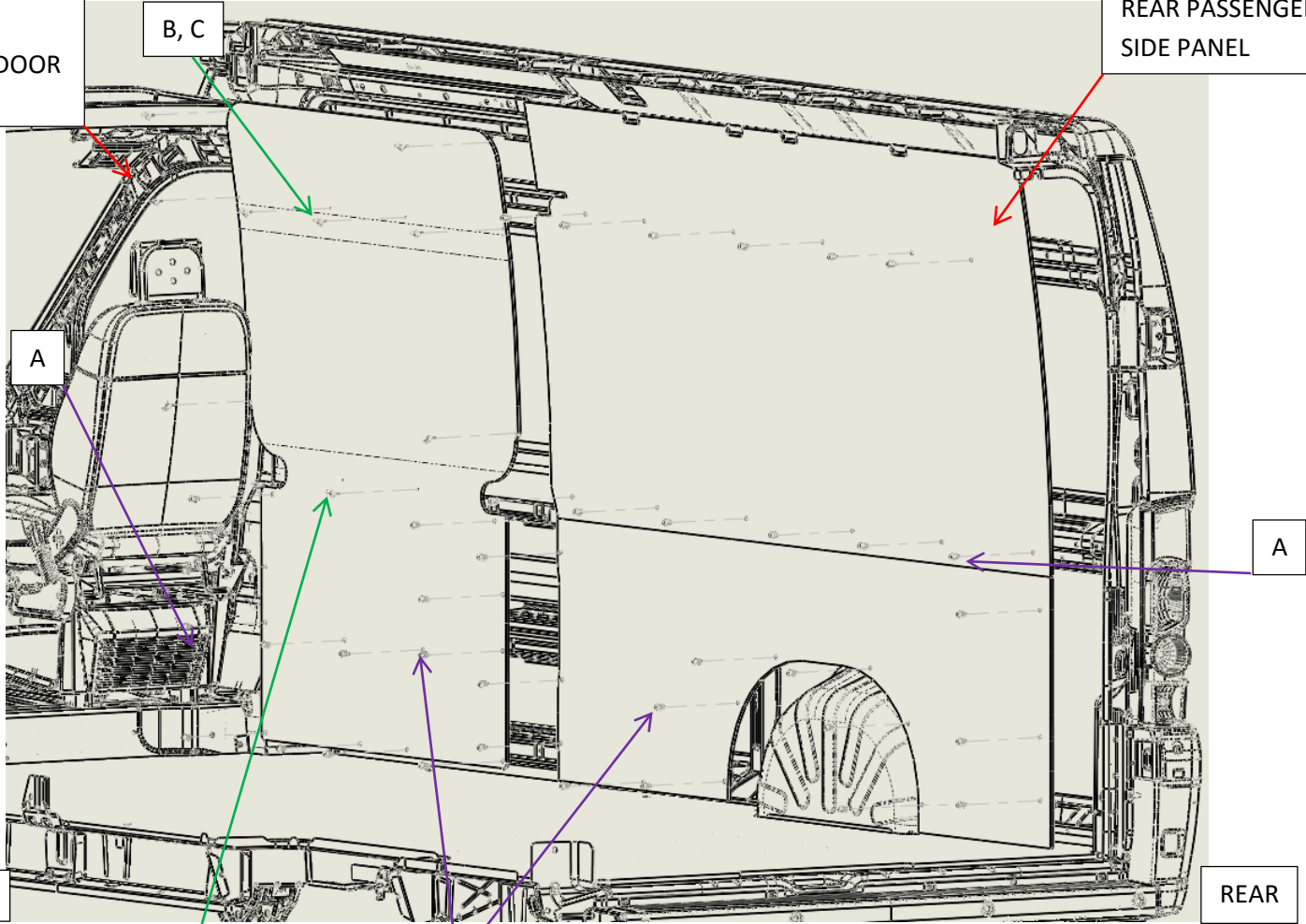




# Passenger Side Wall Liner Installation

ITEM 14  
SLIDING DOOR  
PANEL

ITEM 9  
REAR PASSENGER  
SIDE PANEL



Installation completed

**4:** Install Item 9, Rear Passenger Side Panel.

- Align wheel well edge of the panel with the feature on the vehicle; position the contour of the panel to the vehicle wall.
- Install hardware (A), in the holes provided, on the bottom of the panel first, working your way up the panel to the top.

**5:** Install Item 14, Sliding Door Panel. First remove OEM bottom panel.

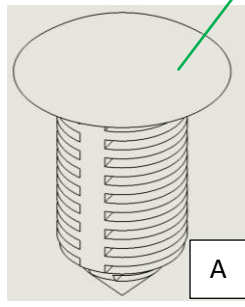
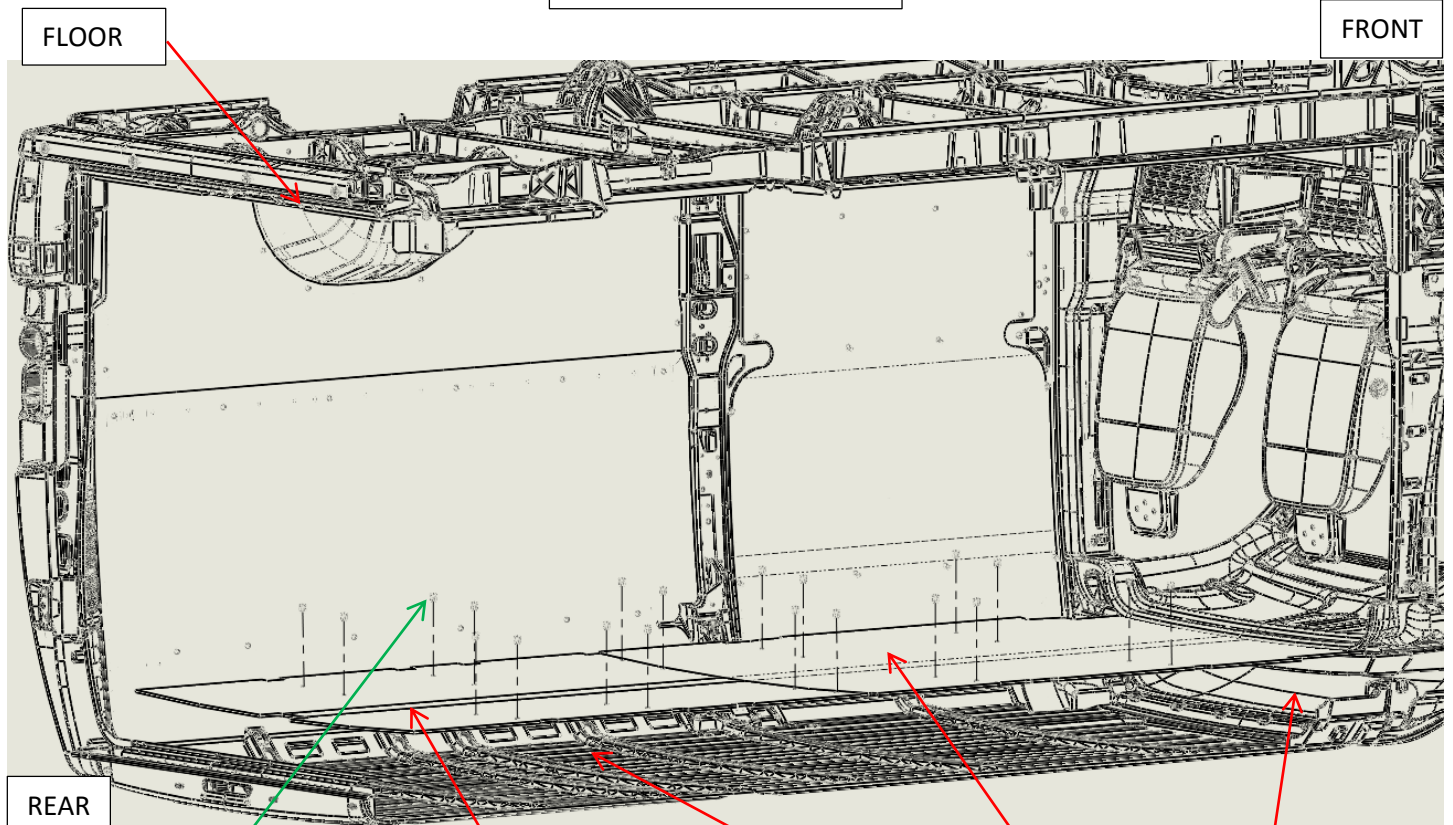
Note: Sliding door must be closed to install panel;

- Insert panel into the sliding door sill cavity, align holes at the bottom half of the panel to the one on the door and insert hardware (A) in all of the holes provided.
- Install hardware (B, C) in the holes provided in the middle to the top part of the panel; make sure the panel does not interfere with the door seal.



# Ceiling Liner Installation

VEHICLE IS UPSIDE DOWN



**ITEM 13**  
REAR CEILING PANEL

CEILING

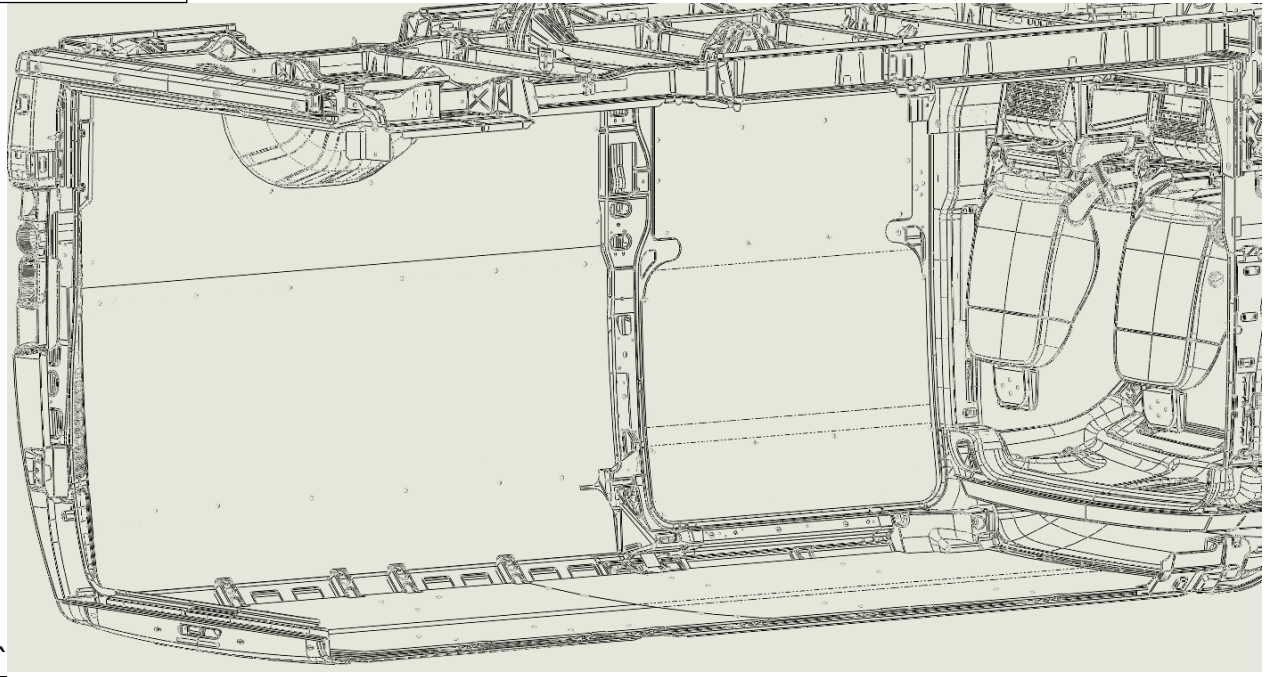
**ITEM 12**  
FRONT CEILING PANEL

HEADLINER

### 6: Install Item 12 AND 13, Ceiling Panels.

- Align Ceiling panel with the feature on the vehicle in the front, insert the front of the panel between the headliner and the roof.
- Align the outside holes at the center of the panel with the holes in the ceiling cross bows and install hardware (A) on each side; this will align the panel with the ceiling.
- Push the panel against the ceiling and install hardware (A), in the holes provided starting from the front working your way towards the rear.

**Installation completed**





# Ceiling Sills Installation

VEHICLE IS UPSIDE DOWN

PASSENGER SIDE

FRONT

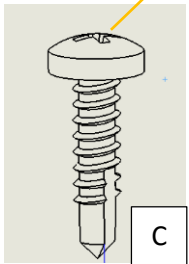
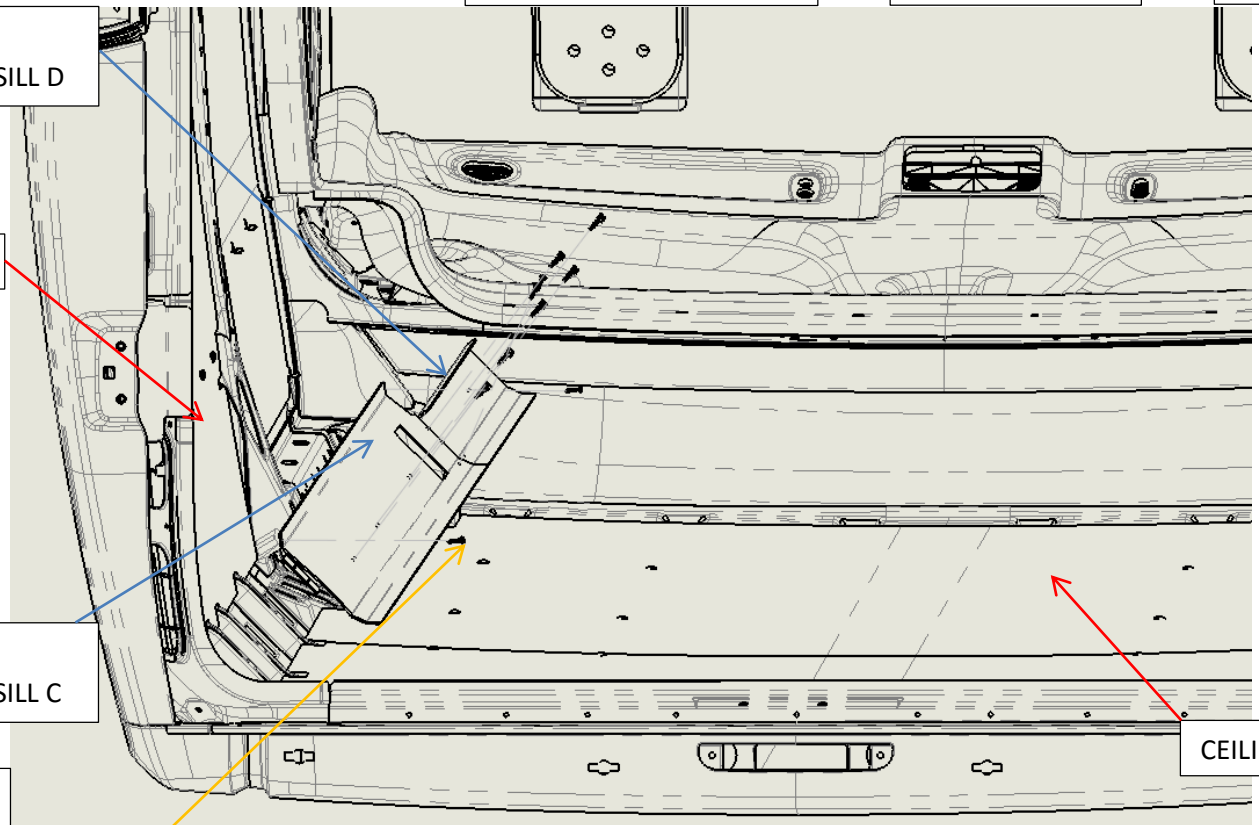
ITEM 11  
CEILING SILL D

WALL

ITEM 10  
CEILING SILL C

REAR

CEILING



C

**Z:** Assemble Item 10 and item 11 together with the Item 8, Sill Joining Plate (SHOWN BELOW), with hardware (C) in the holes provided.

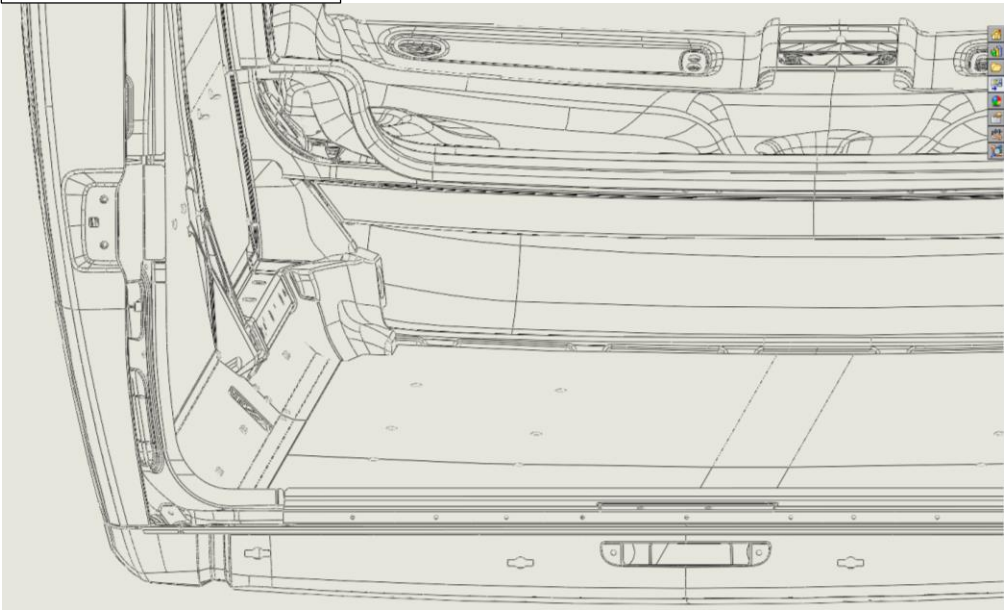
FOR DRIVER SIDE

- Assemble Item 3 and item 4 together with the Item 8, Sill Joining Plate (SHOWN BELOW), with hardware (C) in the holes provided.

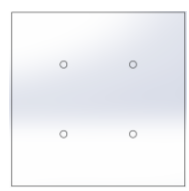
FOR PASSENGER SIDE

- Install the Sill assemblies on the Driver side as well as on the Passenger side using hardware (C) in the holes provided on the Sills.

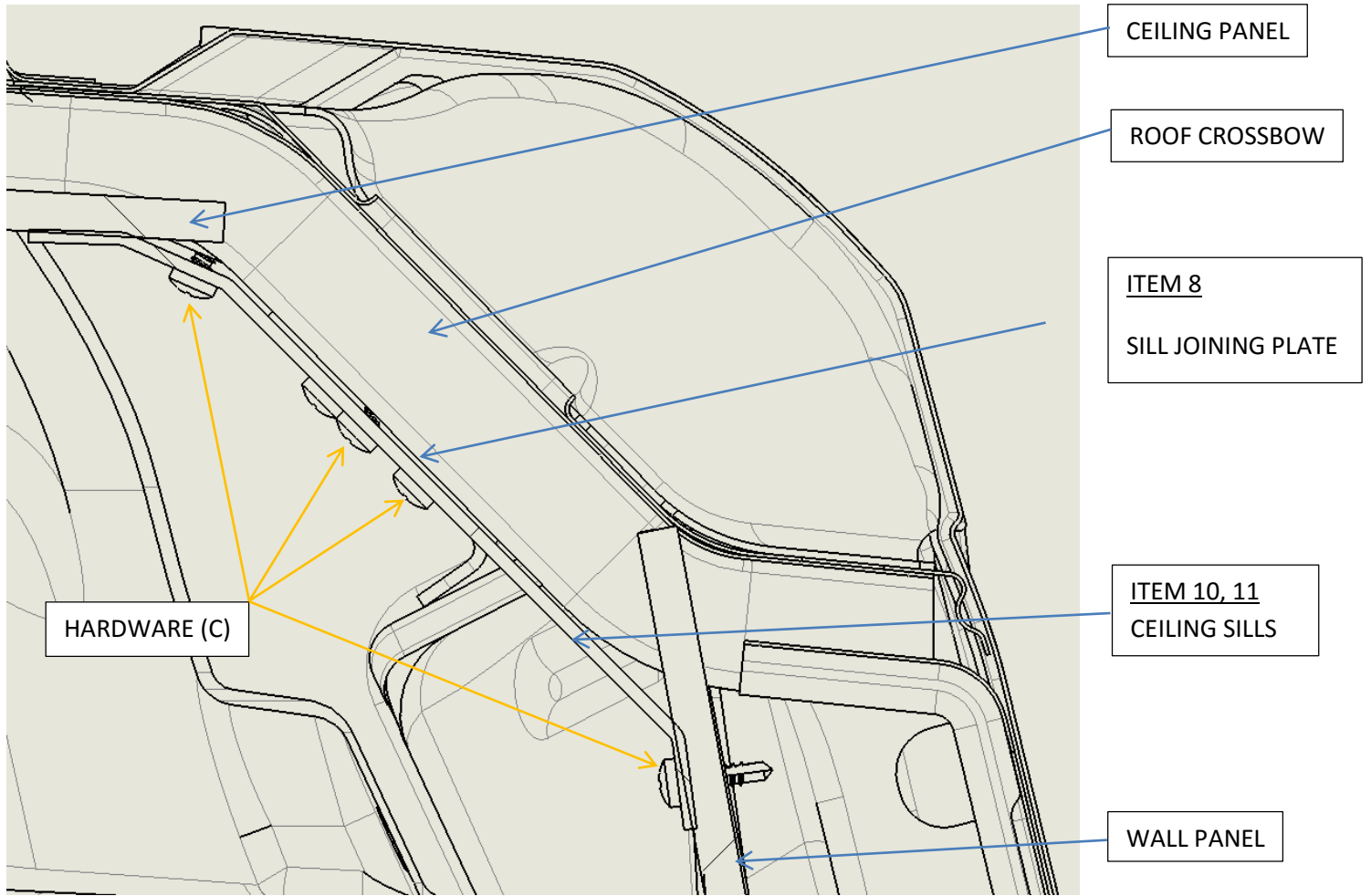
Installation completed



ITEM 8  
SILL JOINING PLATE



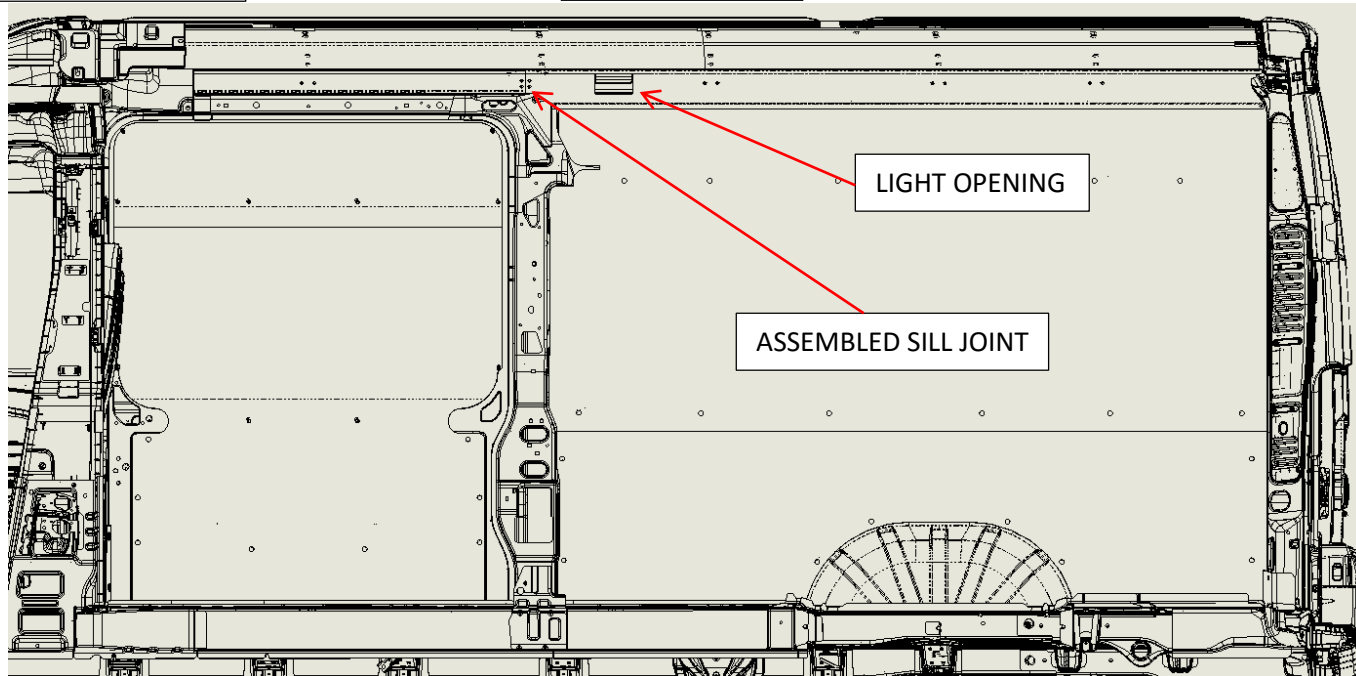
# Ceiling Sills Installation Details



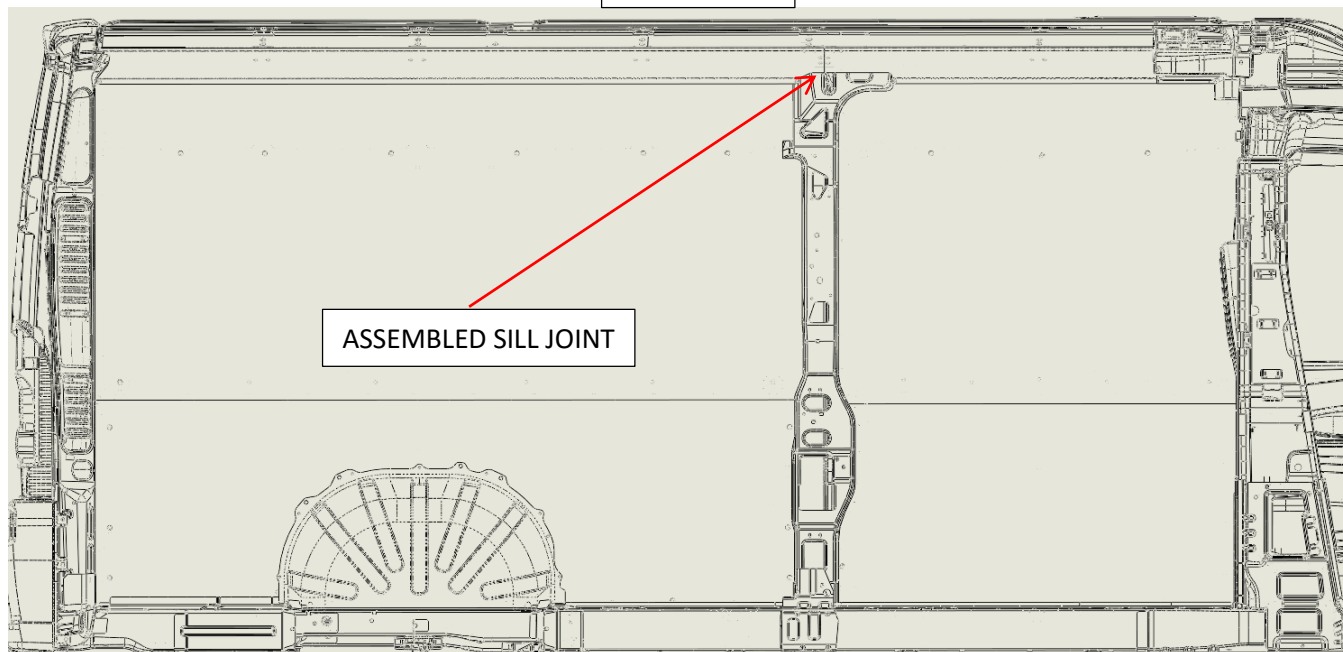


Installation completed

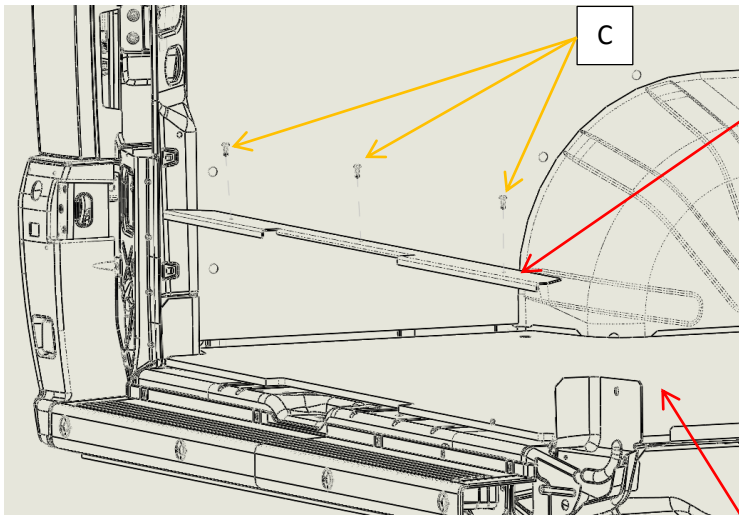
PASSENGER SIDE



DRIVER SIDE



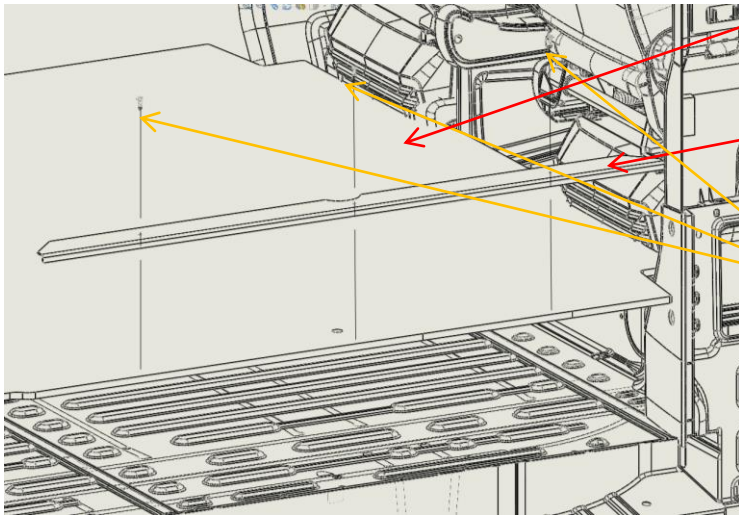
## Floor and Floor Sill Installation



**ITEM 18**  
FLOOR SILL – REAR DOOR

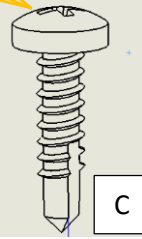
**8:** Install Items 17, FLOOR and Items 18, 19 FLOOR SILLS.

- Install floor inside the vehicle.
- Align the floor sills in their proper location with the floor edges and install hardware (c).



**ITEM 17**  
FLOOR

**ITEM 19**  
FLOOR SILL – SLIDING DOOR



C

**Installation completed**

