

PROMASTER 136" WB LOW ROOF WALL LINERS

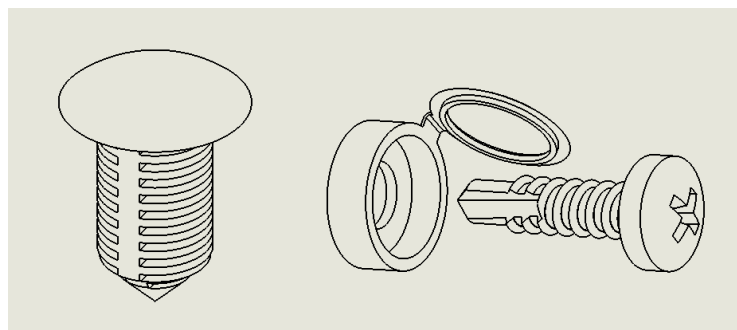
INSTALLATION INSTRUCTIONS



NOTES:

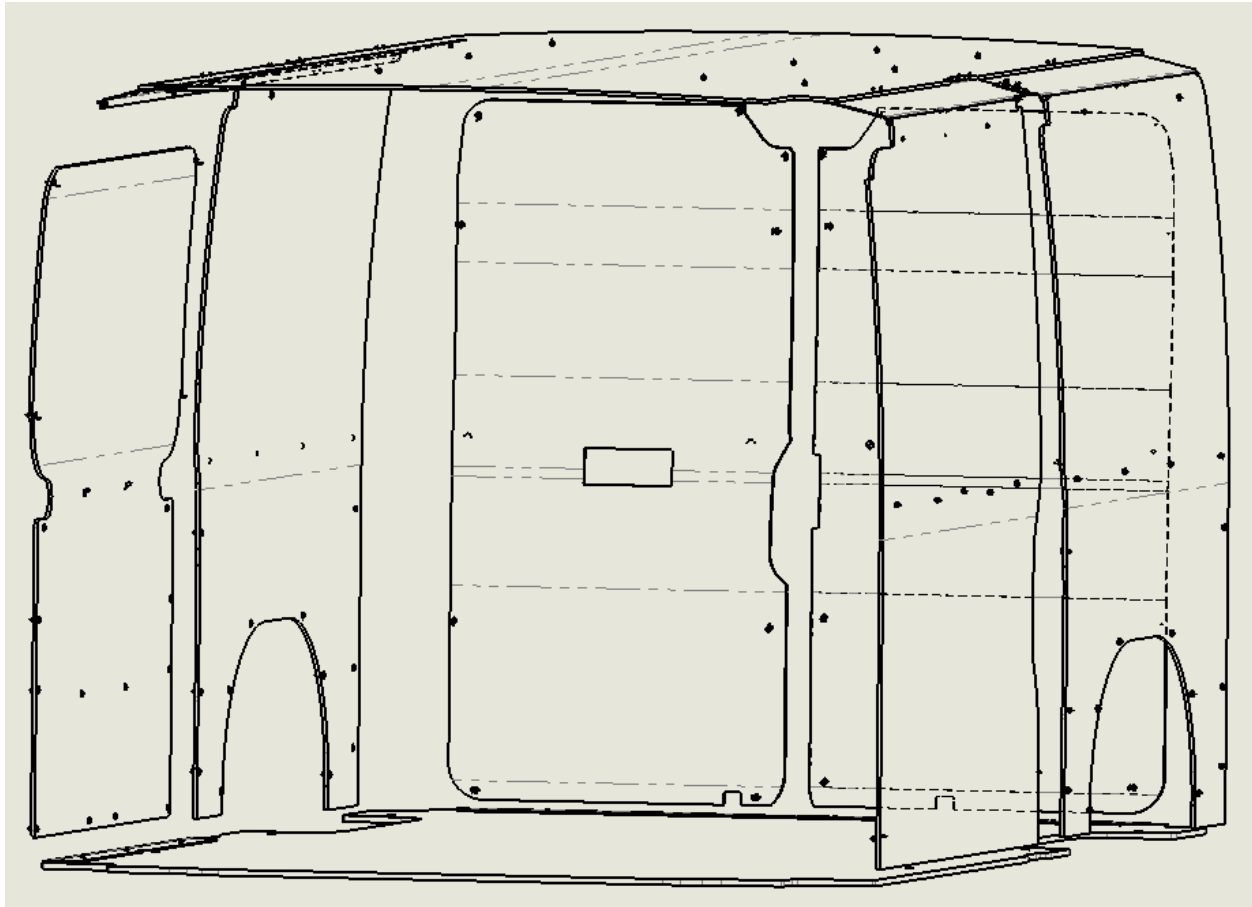
1. Before commencing, remove all wall liners and "D" Rings already installed in the vehicle.
2. Consult layout PDF and compare vehicle layout allocated Legend.
3. Prepare hardware shown below and have them ready for installation.
4. Wall liners will be installed in the order shown in the instructions.
5. A drill with a Phillips driver is required to install hardware (C) #8 Screws, shown below.
6. Reinstall all "D" Rings once the wall liner kit installation is completed.

Hardware



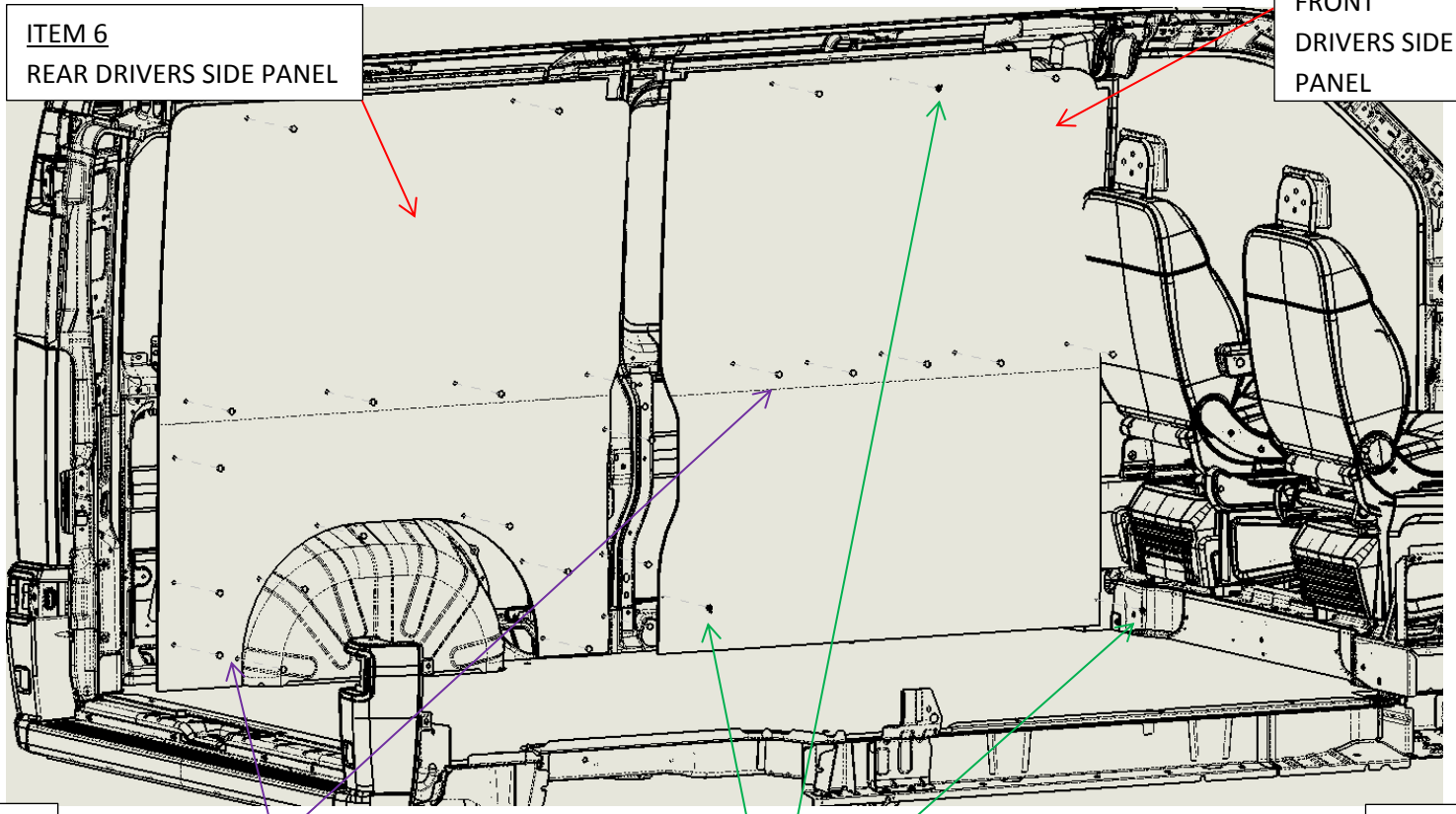
A) Retainer **B) #8 Screw Cap** **C) #8 Screw**

PROMASTER 136" WB LOW ROOF WALL LINERS



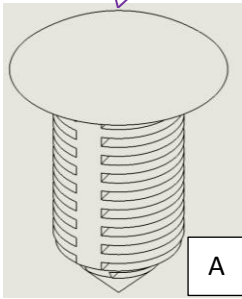
ITEM NO.	PART NUMBER	DESCRIPTION	QTY.
1	603-114-2613.LR	GREY SLIDING DOOR PANEL PROMASTER 136" WB LR	1
2	RETAINER	RETAINER- BLACK NYLON	73
3	SCREW CAP	SCREW CAP	27
4	SCREW	SCREW - PHIL. PAN HD #8X.75 SELF DRILLING	67
5	634-114-2613.LR	GREY FRONT WALL PANEL DRIVER SIDE PROMASTER 136" WB LR	1
6	634-114-2613.LR	GREY REAR WALL PANEL DRIVER SIDE PROMASTER 136" WB LR	1
7	634-114-2613.LR	GREY REAR PASSENGER SIDE PANEL PROMASTER 136" WB LR	1
8	633-114-2613.LR	GREY REAR DOOR PANEL PASSENGER SIDE PROMASTER 136" WB LR	1
9	603-114-2613.LR	GREY REAR DOOR PANEL DRIVER SIDE PROMASTER 136" WB LR	1
10	635-114-2613.LR	GREY CEILING FRONT PANEL PROMASTER 136" WB LR	1
11	637-151-1010.LR	CEILING SILL "A" REAR PASSENGER SIDE PROMASTER 136" WB LR	1
12	637-151-1010.LR	CEILING SILL "B" FRONT PASSENGER SIDE PROMASTER 136 WB LR	1
13	637-151-1010.LR	CEILING SILL "C" REAR DRIVER SIDE PROMASTER 136" WB LR	1
14	637-151-1010.LR	CEILING SILL "D" FRONT DRIVER SIDE PROMASTER 136" WB LR	1
15	637-151-1010	JOINER PLATE- CEILING SILL	2
16	608-151-1010	REAR DOOR FLOOR SILL PROMASTER	1
17	606-151-1010	SIDE DOOR FLOOR SILL PROMASTER	1
18	632-xxx-6641	FLOOR - PROMASTER 136 WB LR	1

Driver Side Wall Liner Installation

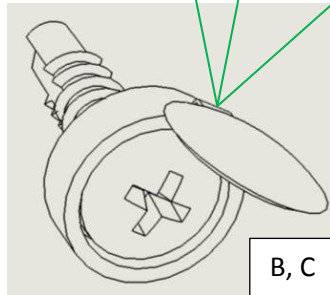


REAR

FRONT

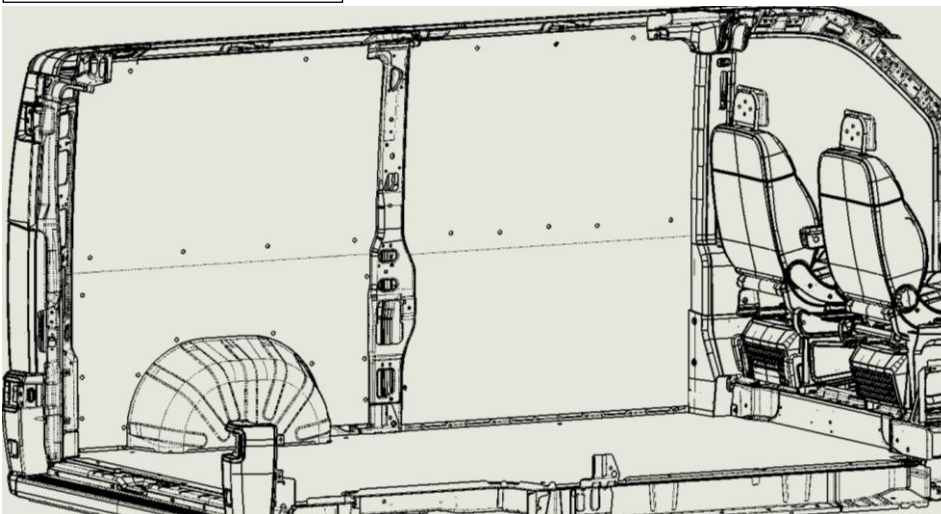


A



B, C

Installation completed



1: Install Item 5, Front Driver Side Panel.

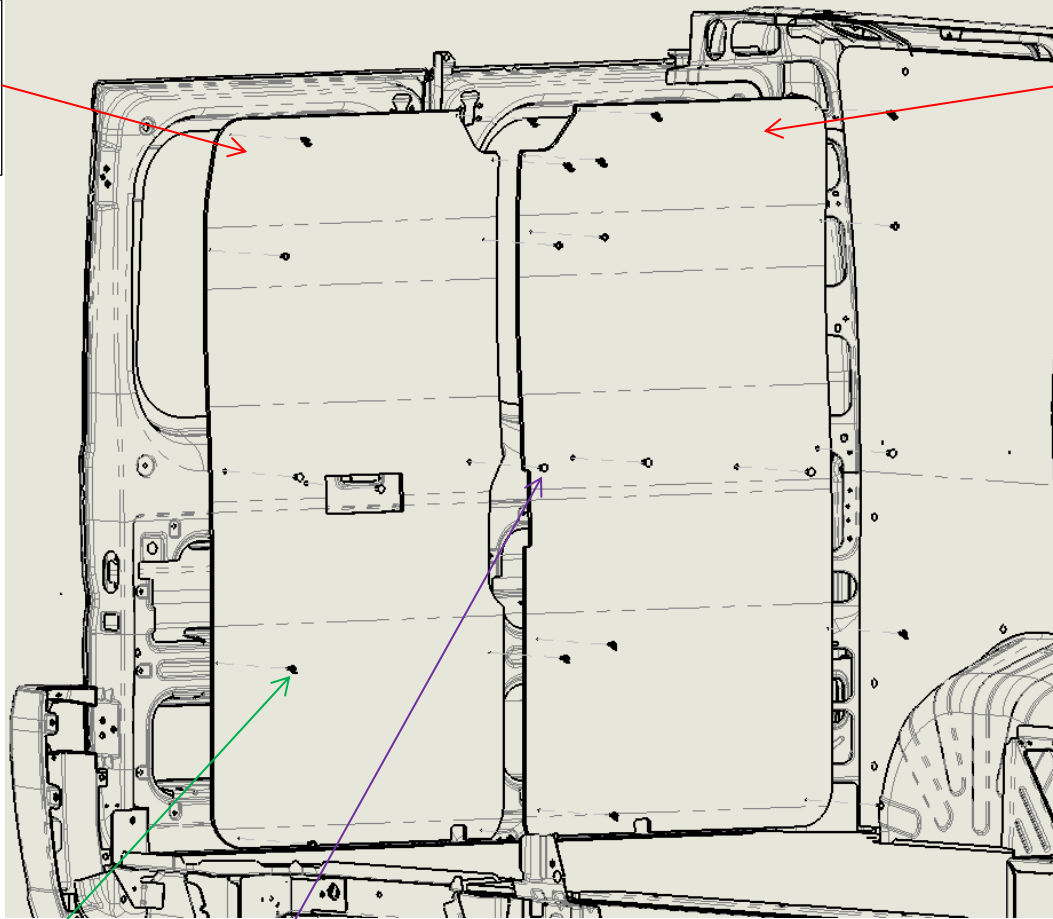
- Align notch and edge of panel with the feature on the vehicle driver side front then align opposite side of panel edge with the contour features.
- Install hardware (A) and (B,C), in the holes provided, on the bottom of the panel first, working your way up the panel to the top.

2: Install Item 6, Rear Driver Side Panels.

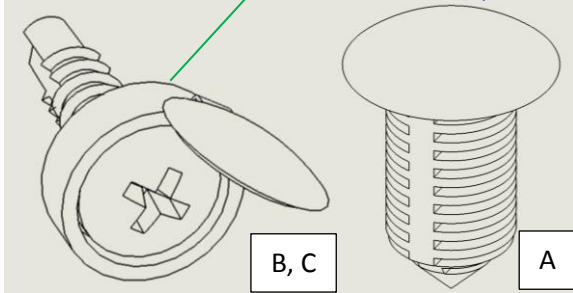
- Align wheel well edge of the panel with the feature on the vehicle; position the contour of the panel to the vehicle wall.
- Install hardware (A), in the holes provided, on the bottom of the panel first, working your way up the panel to the top.

Back Door Wall Liner Installation

ITEM 8
REAR DOOR
PASSENGER SIDE
PANEL



ITEM 9
REAR DOOR
DRIVERS SIDE
PANEL

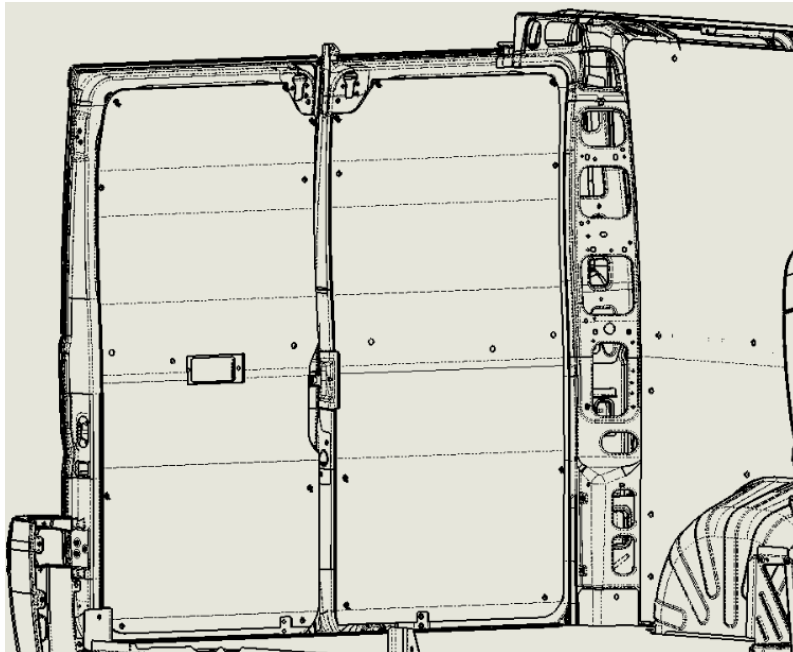


3: Install Item 8 and 9, Upper door panels,

Note: Rear doors must be closed when installing door panels.

- Align the panels with the center section holes of the panel and install hardware (A), this will align the panel to the door.
- Install hardware (B, C), in the holes provided, on the middle top of the panel first then the top part, working your way down the panel to the bottom.

Installation completed



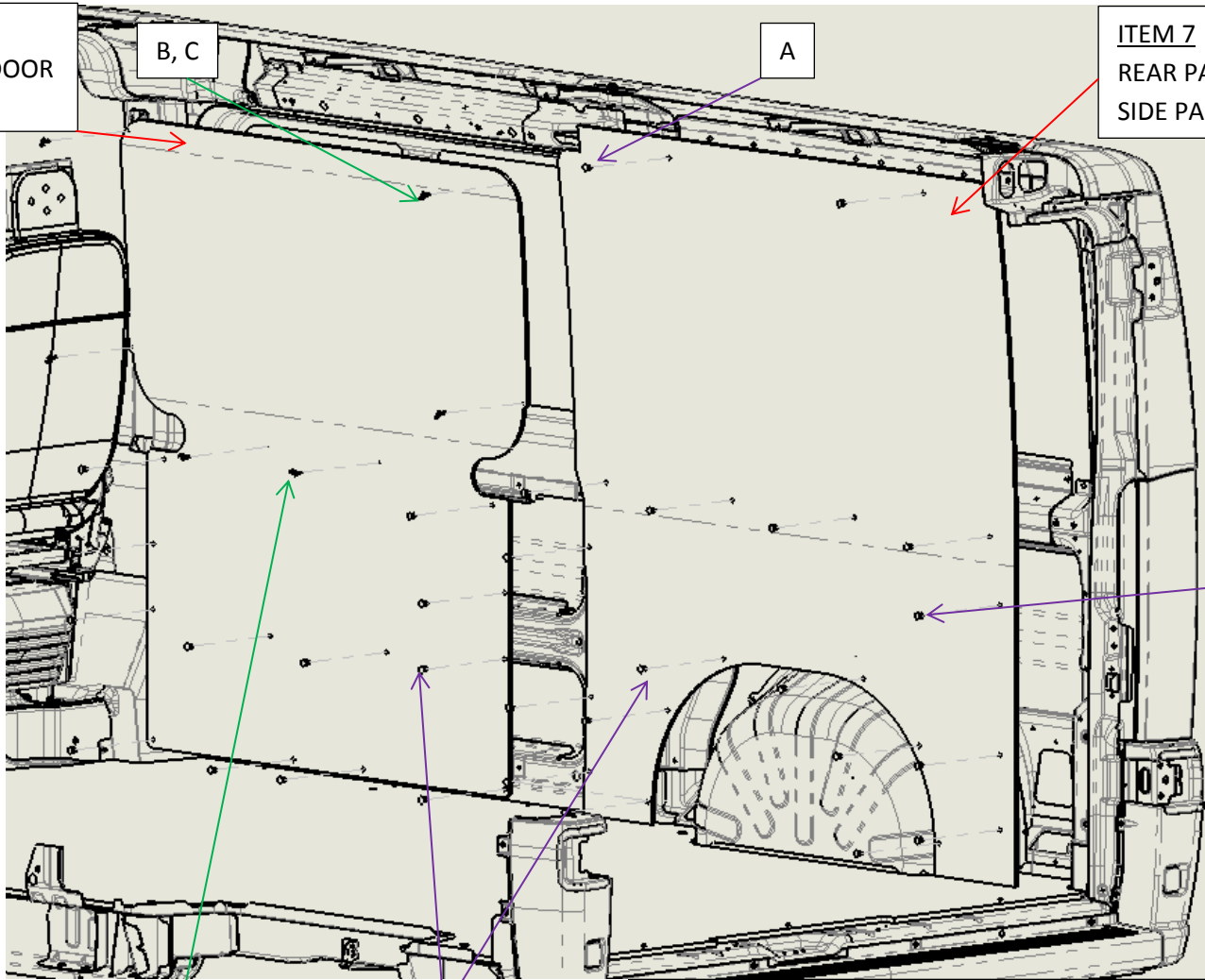
Passenger Side Wall Liner Installation

ITEM 1
SLIDING DOOR
PANEL

B, C

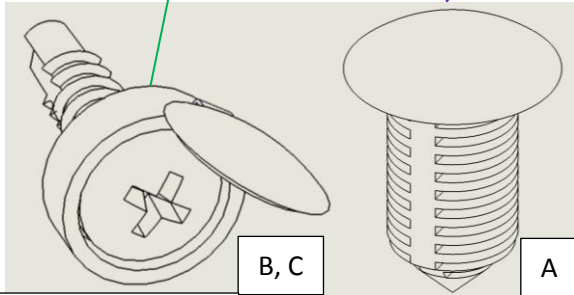
A

ITEM 7
REAR PASSENGER
SIDE PANEL



FRONT

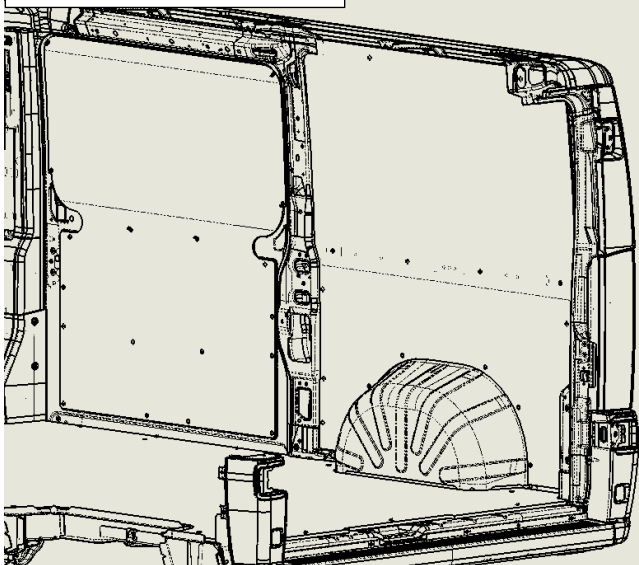
REAR



B, C

A

Installation completed



4: Install Item 7, Rear Passenger Side Panel.

- Align wheel well edge of the panel with the feature on the vehicle; position the contour of the panel to the vehicle wall.
- Install hardware (A), in the holes provided, on the bottom of the panel first, working your way up the panel to the top.

5: Install Item 1, Sliding Door Panel.

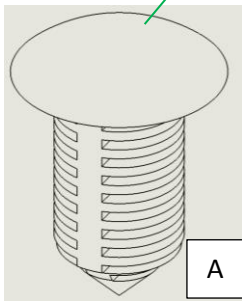
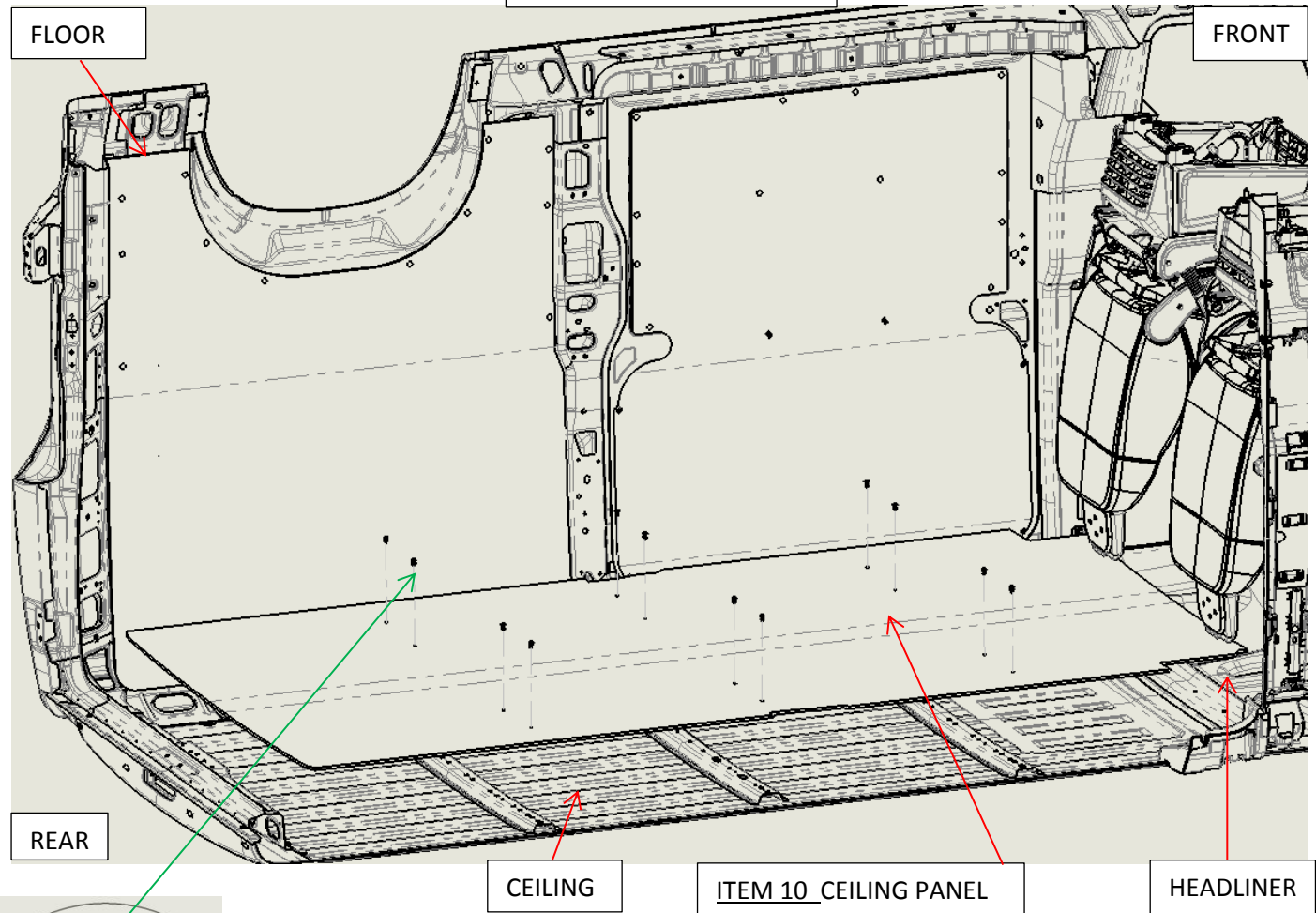
First remove OEM bottom panel.

Note: Sliding door must be closed to install panel;

- Insert panel into the sliding door sill cavity, align holes at the bottom half of the panel to the one on the door and insert hardware (A) in all of the holes provided.
- Install hardware (B, C) in the holes provided in the middle to the top part of the panel; make sure the panel does not interfere with the door seal.

Ceiling Liner Installation

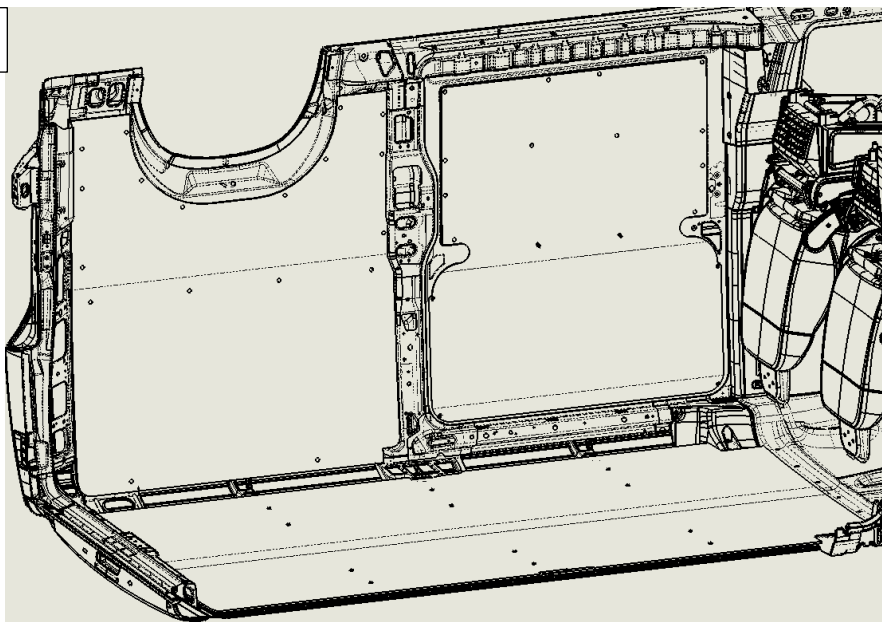
VEHICLE IS UPSIDE DOWN



6: Install Item 10, Ceiling Panel.

- Align Ceiling panel with the feature on the vehicle in the front, insert the front of the panel between the headliner and the roof.
- Align the outside holes at the center of the panel with the holes in the ceiling cross bows and install hardware (A) on each side; this will align the panel with the ceiling.
- Push the panel against the ceiling and install hardware (A), in the holes provided starting from the front working your way towards the rear.

Installation completed



Ceiling Sills Installation

VEHICLE IS UPSIDE DOWN

PASSENGER SIDE

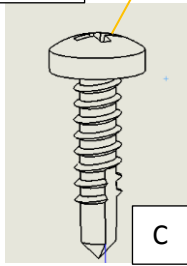
FRONT

ITEM 13
CEILING SILL D

WALL

ITEM 14
CEILING SILL C

CEILING



Z: Assemble Item 13 and item 14 together with the Item 15, Sill Joining Plate (SHOWN BELOW), with hardware (C) in the holes provided.

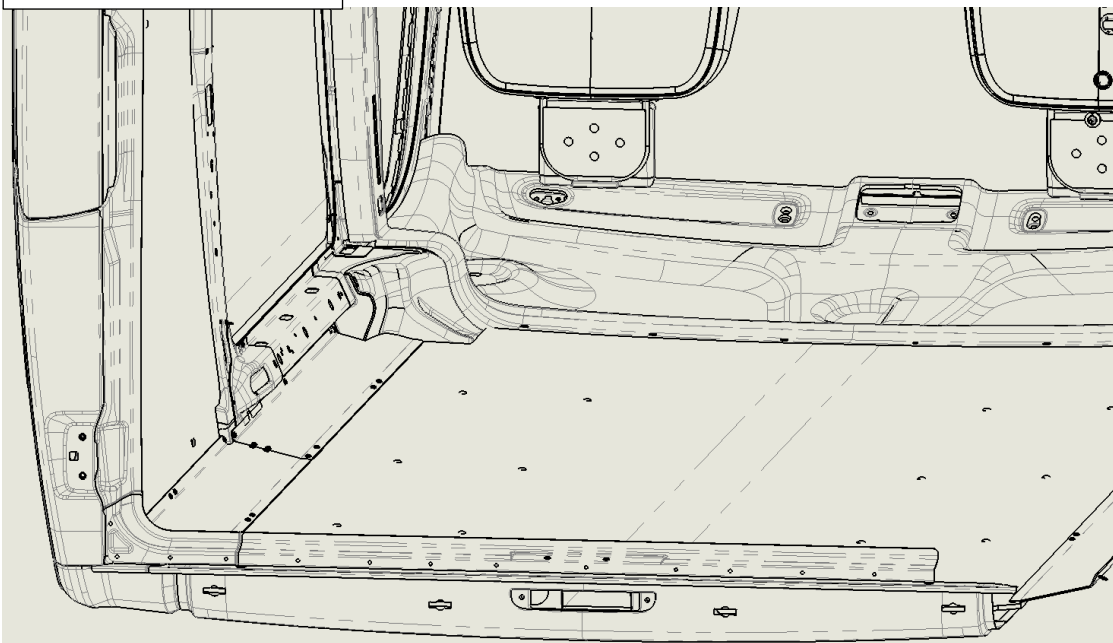
FOR DRIVER SIDE

- Assemble Item 11 and item 12 together with the Item 15, Sill Joining Plate (SHOWN BELOW), with hardware (C) in the holes provided.

FOR PASSENGER SIDE

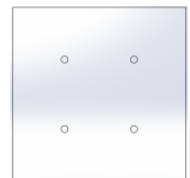
- Install the Sill assemblies on the Driver side as well as on the Passenger side using hardware (C) in the holes provided on the Sills.

Installation completed

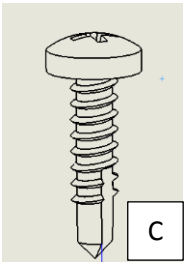
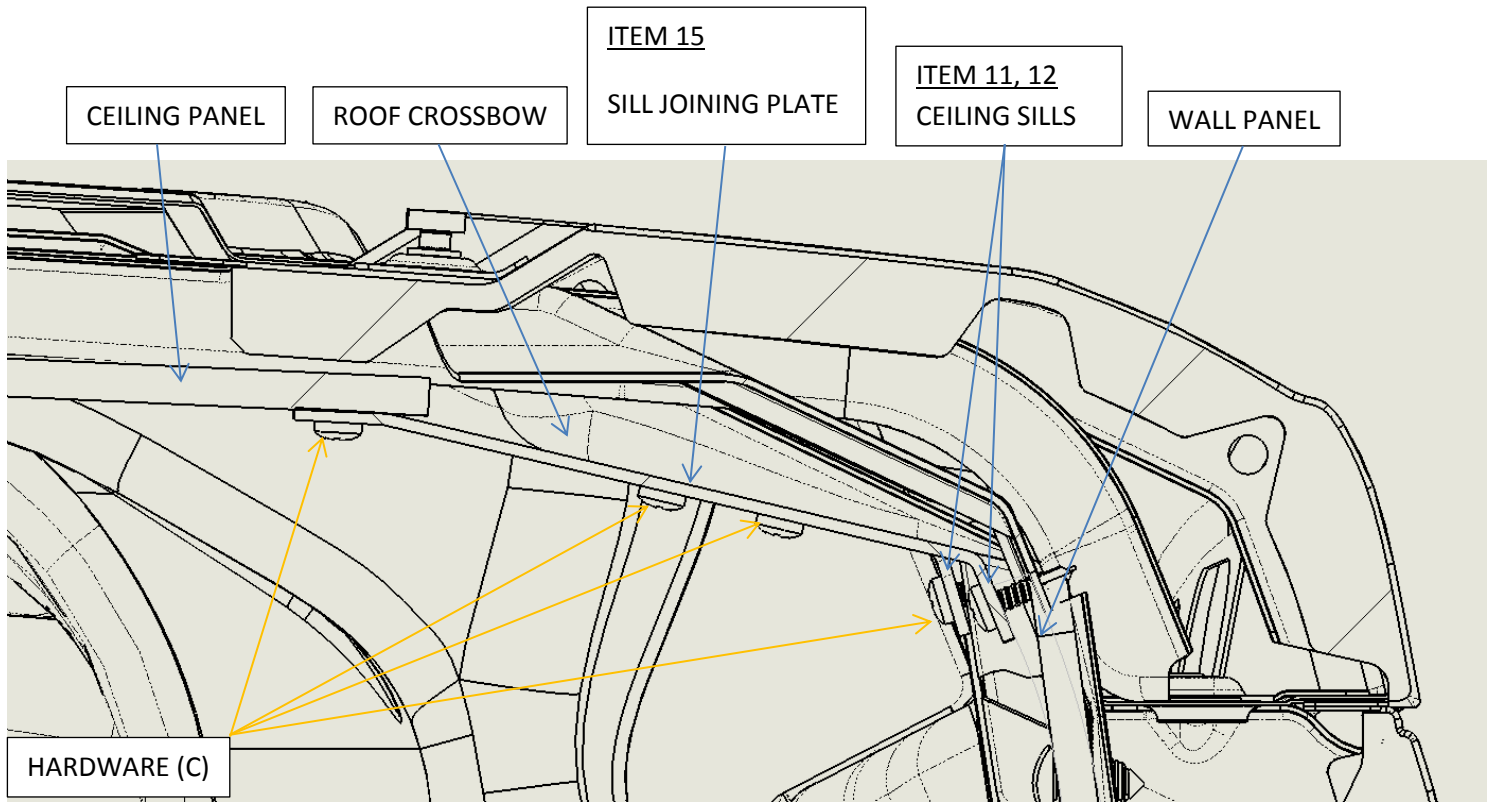


ITEM 15

SILL JOINING PLATE

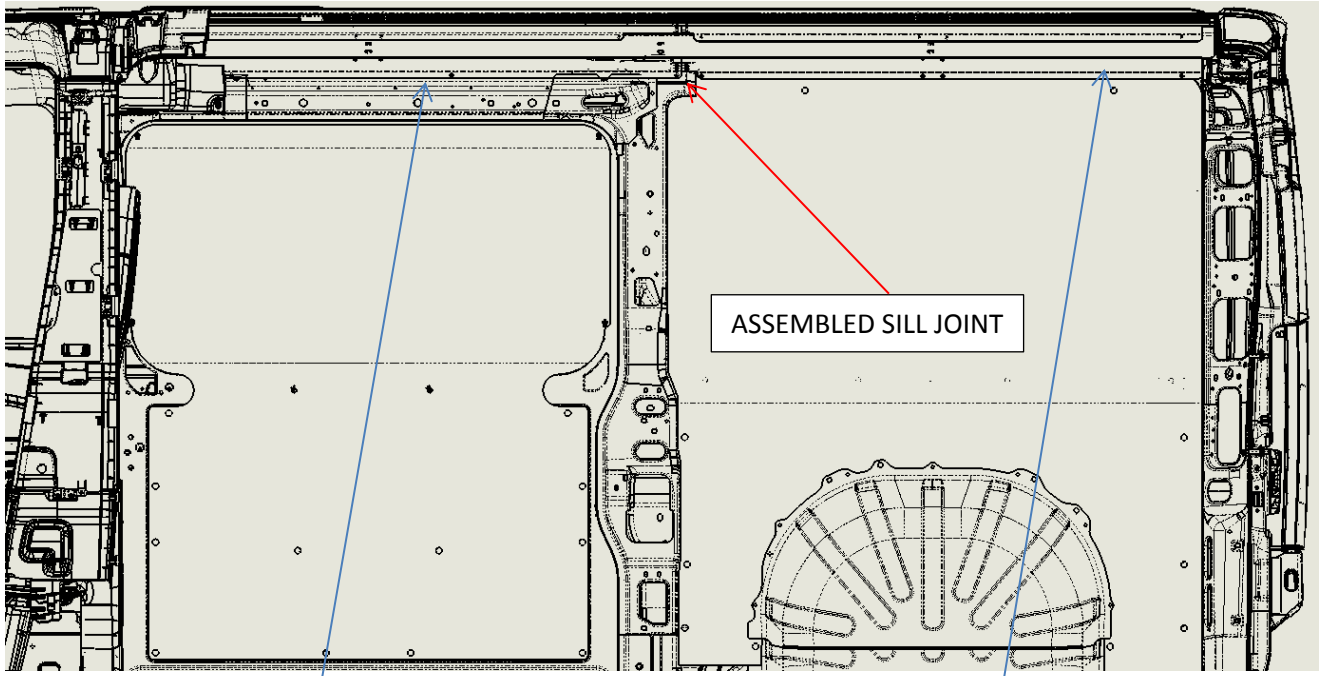


Ceiling Sills Installation Details



Installation completed

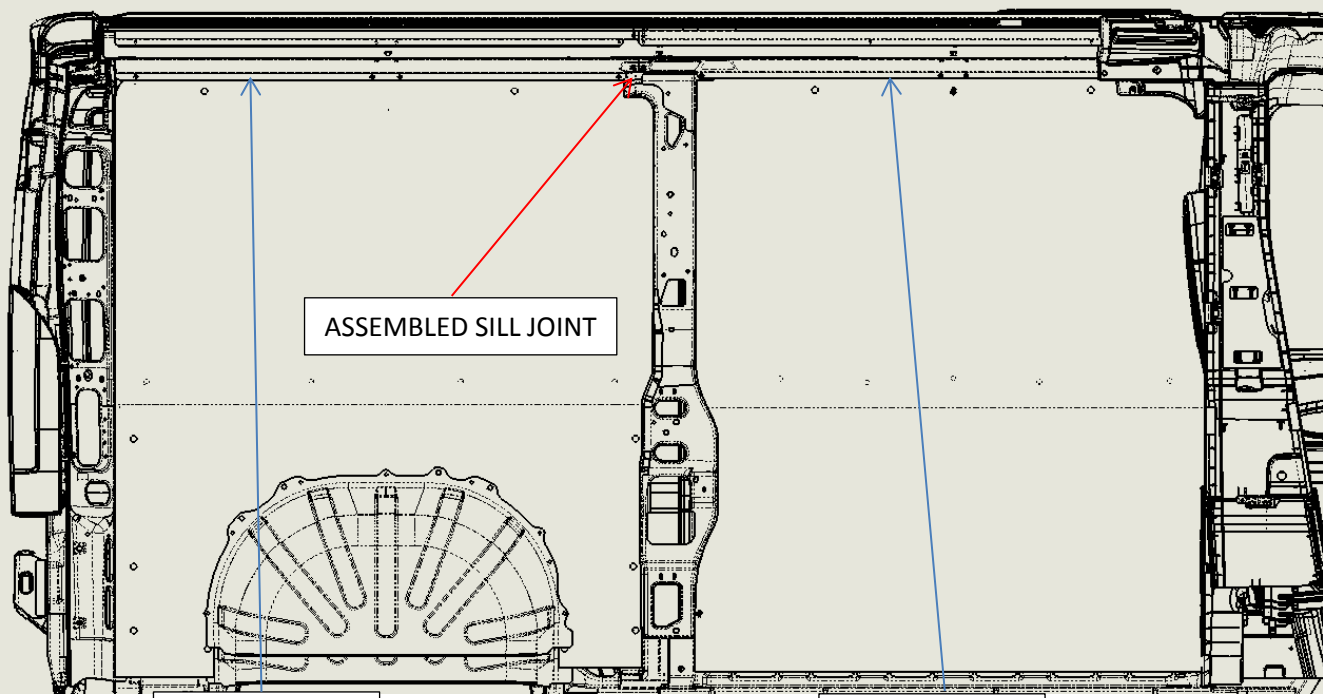
PASSENGER SIDE



ITEM 12
CEILING SILL B

ITEM 11
CEILING SILL A

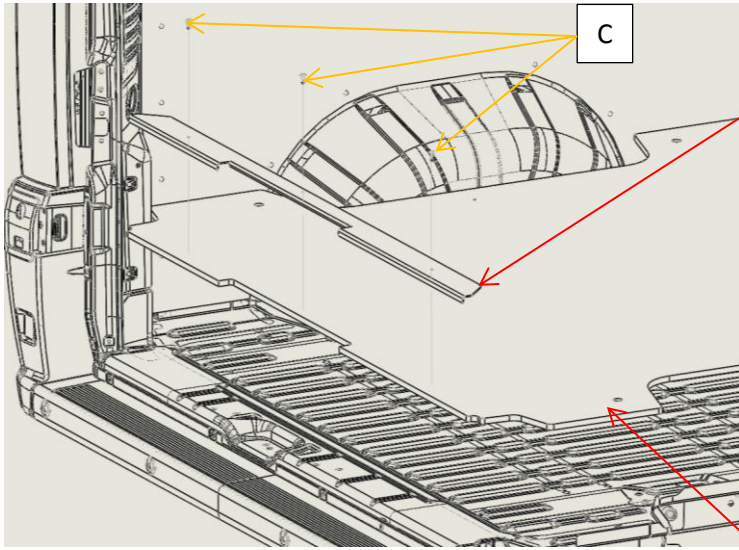
DRIVER SIDE



ITEM 13
CEILING SILL C

ITEM 14
CEILING SILL D

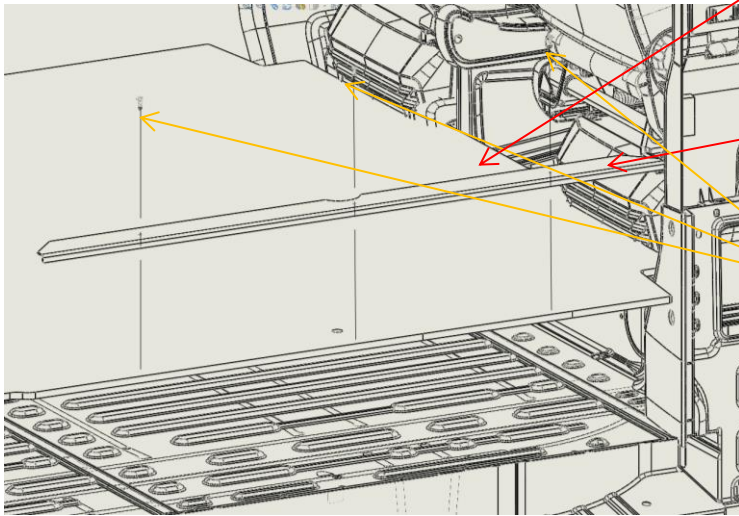
Floor and Floor Sill Installation



ITEM 16
FLOOR SILL – REAR DOOR

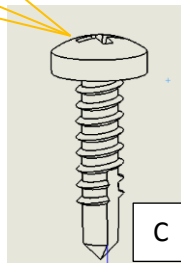
8: Install Items 18, FLOOR and Items 16, 17 FLOOR SILLS.

- Install floor inside the vehicle.
- Align the floor sills in their proper location with the floor edges and install hardware (C).



ITEM 18
FLOOR

ITEM 17
FLOOR SILL – SLIDING DOOR



Installation completed

