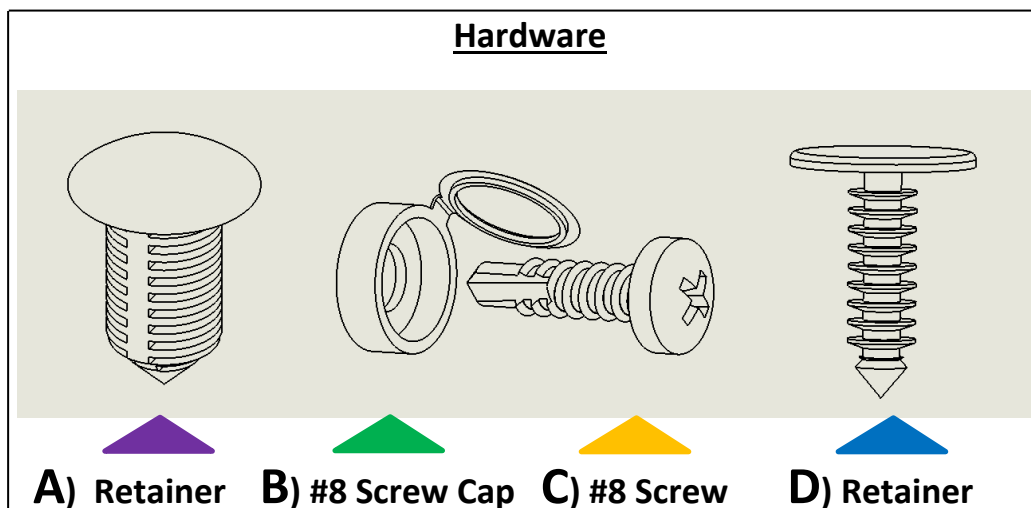


PROMASTER 136" WB HIGH ROOF WALL LINERS INSTALLATION INSTRUCTIONS

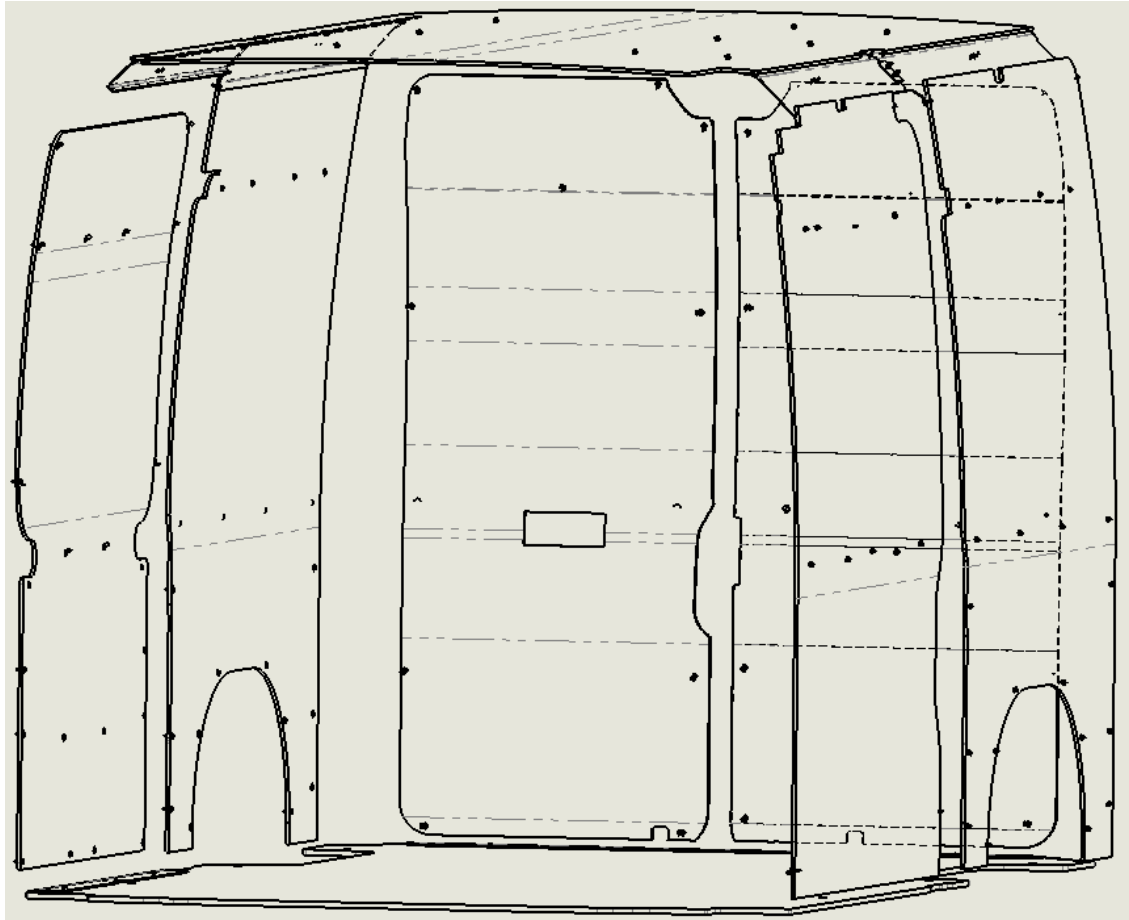


NOTES:

1. Before commencing, remove all wall liners and "D" Rings already installed in the vehicle.
2. Consult layout PDF and compare vehicle layout allocated Legend.
3. Prepare hardware shown below and have them ready for installation.
4. Wall liners will be installed in the order shown in the instructions.
5. A drill with a Phillips driver is required to install hardware (C) #8 Screws, shown below.
6. Reinstall all "D" Rings once the wall liner kit installation is completed.



PROMASTER 136" WB HIGH ROOF WALL LINERS



BOM Table

ITEM NO.	PART NUMBER	DESCRIPTION	QTY.
1	634-114-2613.HR	GREY REAR WALL PANEL DRIVER SIDE PROMASTER 136" WB HR	1
2	634-114-2613.HR	GREY FRONT WALL PANEL DRIVER SIDE PROMASTER 136" WB HR	1
3	637-151-1010.HR	SILL "C" PROMASTER 136" WB HR	1
4	637-151-1010.HR	SILL "D" PROMASTER 136" WB HR	1
5	SCREW	SCREW - PHIL. PAN HD #8X.75 SELF DRILLING	64
6	637-151-1010	JOINER PLATE- CEILING SILL	2
7	RETAINER	RETAINER- BLACK NYLON	78
8	SCREW CAP	SCREW CAP	33
9	637-151-1010.HR	SILL "A" PROMASTER 136" WB HR	1
10	637-151-1010.HR	SILL "B" PROMASTER 136" WB HR	1
11	634-114-2613.HR	GREY REAR WALL PANEL PASSENGER SIDE PROMASTER 136" WB HR	1
12	635-114-2613.HR	GREY CEILING FRONT PANEL PROMASTER 136" WB HR	1
13	632-xxx-6641	FLOOR - PROMASTER 136" WB	1
14	606-151-1010	SIDE DOOR FLOOR SILL PROMASTER	1
15	608-151-1010	REAR DOOR FLOOR SILL PROMASTER	1
16	603-114-2613.HR	GREY REAR DOOR PANEL PASSENGER SIDE PROMASTER 136" WB HR	1
17	603-114-2613.HR	GREY REAR DOOR PANEL DRIVER SIDE PROMASTER 136" WB HR	1
18	603-114-2613.HR	GREY SLIDING DOOR PANEL PROMASTER 136" WB HR	1

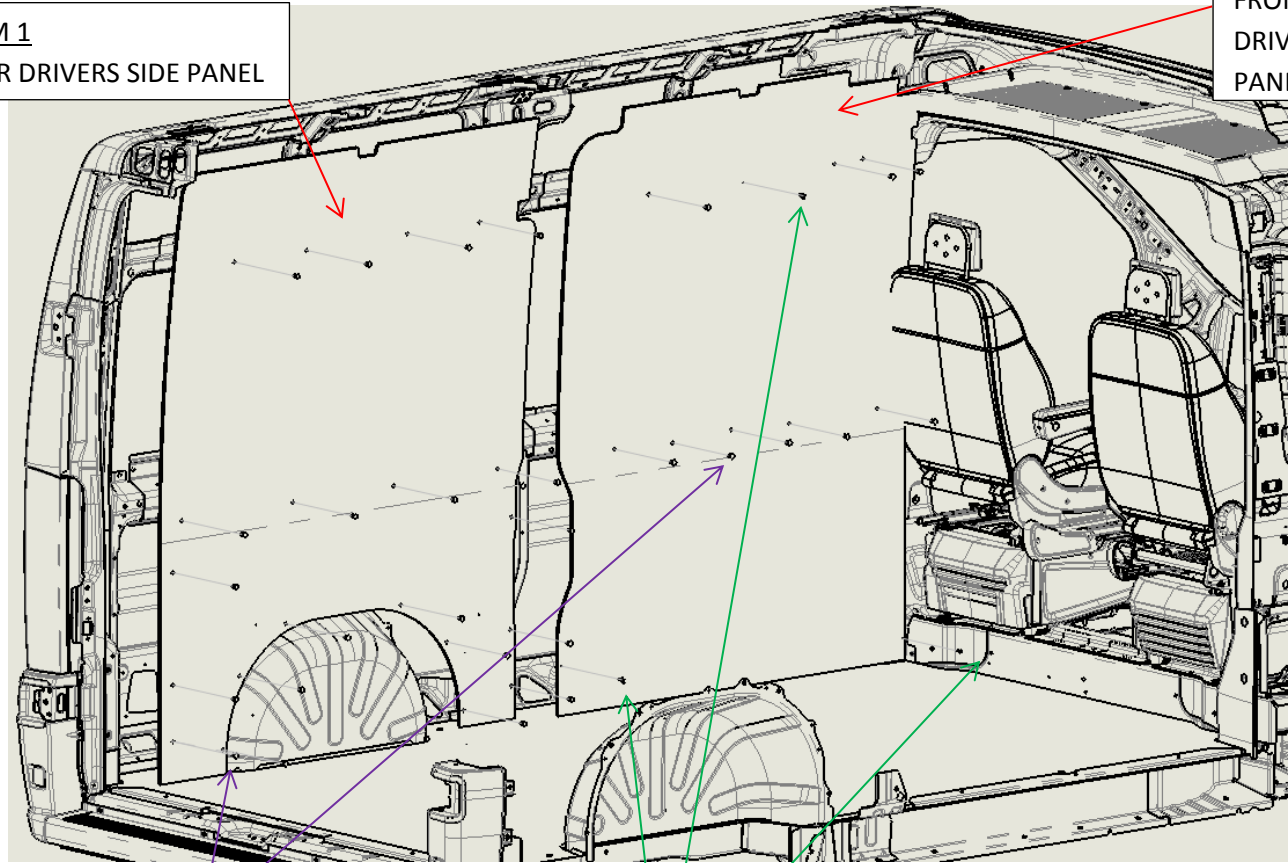
Note:

Model may differ depending if the vehicle purchased came with an OEM partition or not.

Driver Side Wall Liner Installation

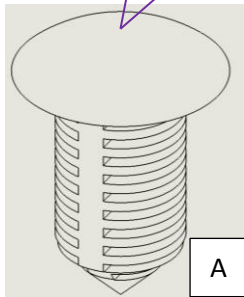
ITEM 1
REAR DRIVERS SIDE PANEL

ITEM 2
FRONT
DRIVERS SIDE
PANEL

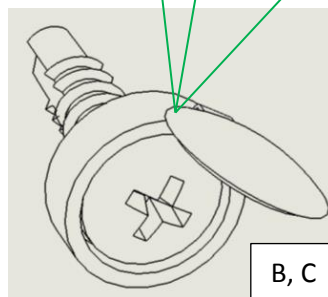


REAR

FRONT

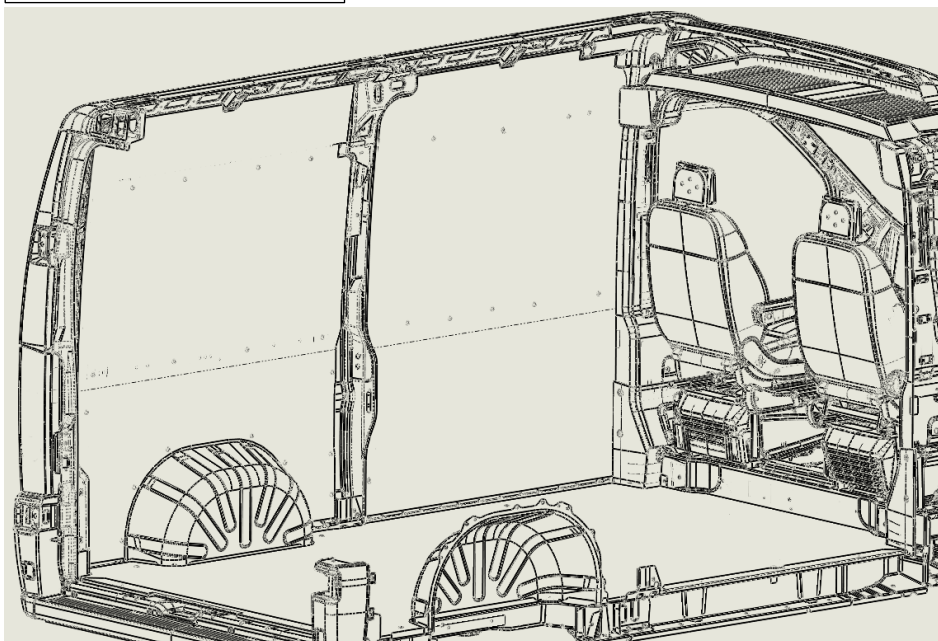


A



B, C

Installation completed



1: Install Item 2, Front Driver Side Panel.

- Align notch and edge of panel with the feature on the vehicle driver side front then align opposite side of panel edge with the contour features.
- Install hardware (A) and (B,C), in the holes provided, on the bottom of the panel first, working your way up the panel to the top.

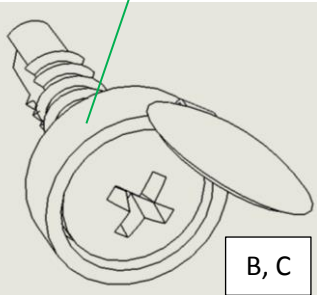
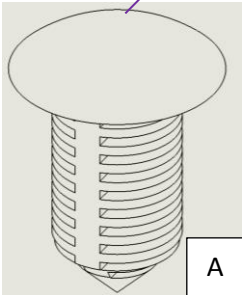
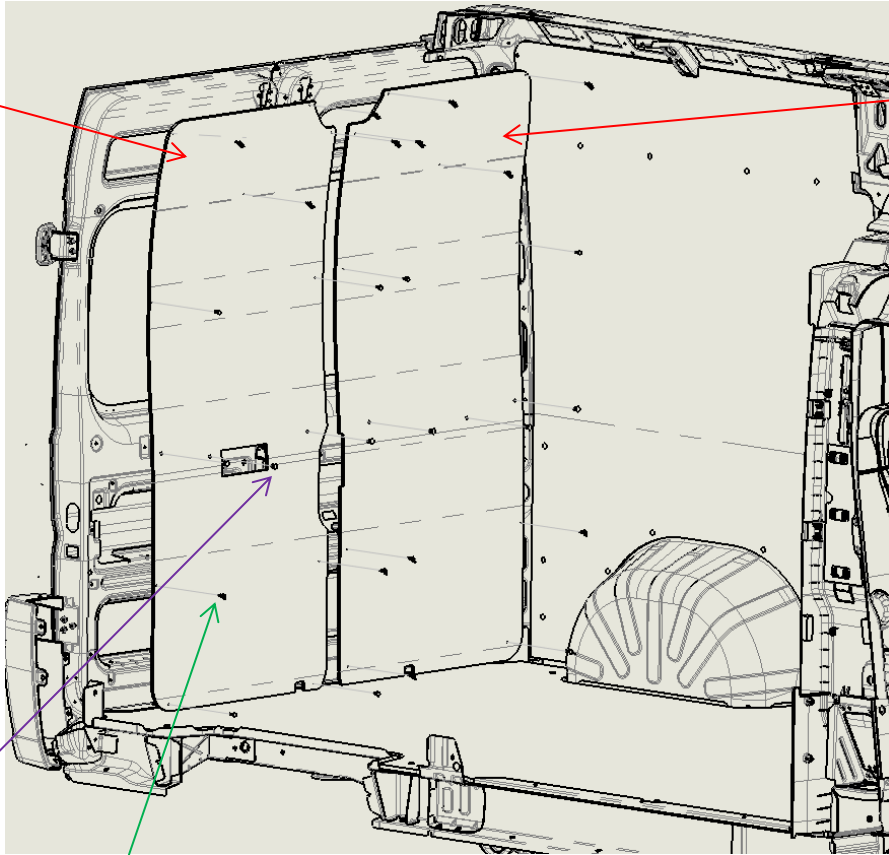
2: Install Item 1, Rear Driver Side Panels.

- Align wheel well edge of the panel with the feature on the vehicle; position the contour of the panel to the vehicle wall.
- Install hardware (A), in the holes provided, on the bottom of the panel first, working your way up the panel to the top.

Back Door Wall Liner Installation

ITEM 16
REAR DOOR
PASSENGER SIDE
PANEL

ITEM 17
REAR DOOR
DRIVERS SIDE
PANEL

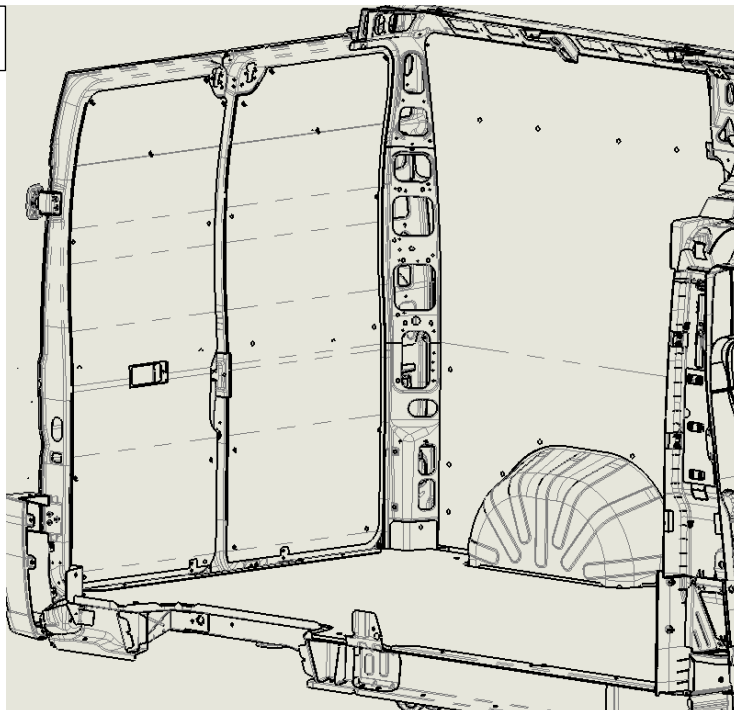


3: Install Item 16 and 17, Rear door panels,

Note: Rear doors must be closed when installing door panels.

- Align the panels with the upper door contours, do not mount tight against the door seals.
- Install hardware (A) first in the holes provided, this will align the panel then install hardware (B, C) on the top of the panel first, working your way down the panel to the bottom.

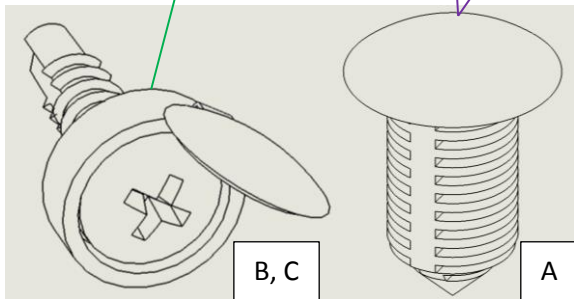
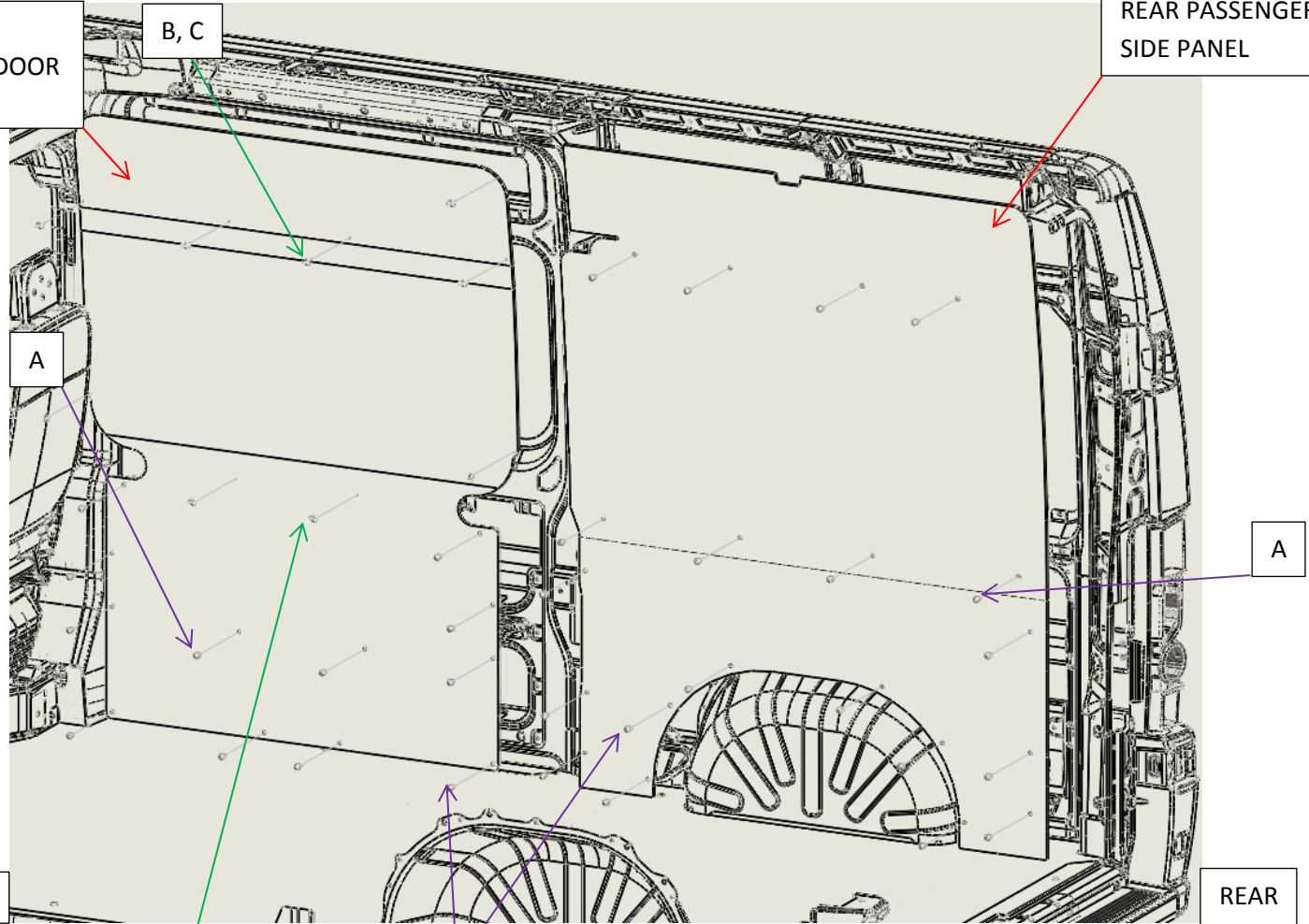
Installation completed



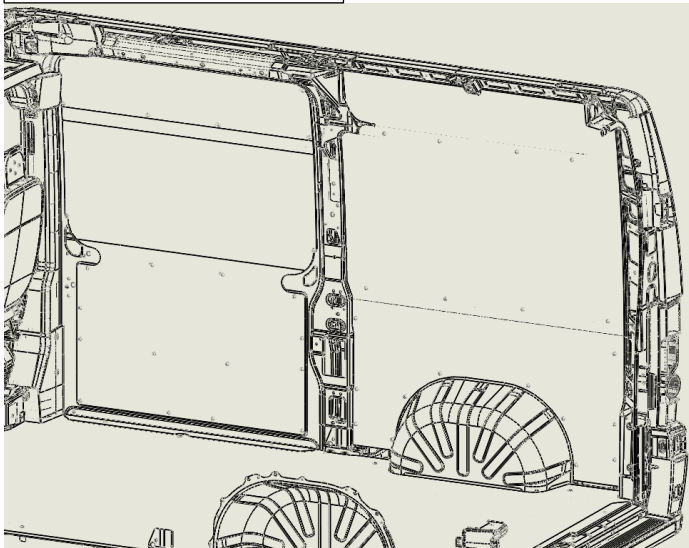
Passenger Side Wall Liner Installation

ITEM 18
SLIDING DOOR
PANEL

ITEM 11
REAR PASSENGER
SIDE PANEL



Installation completed



4: Install Item 11, Rear Passenger Side Panel.

- Align wheel well edge of the panel with the feature on the vehicle; position the contour of the panel to the vehicle wall.
- Install hardware (A), in the holes provided, on the bottom of the panel first, working your way up the panel to the top.
- Install Item 4, Sliding Door Panel.
- Install hardware (A), in the holes.

5: Install Item 18, Sliding Door Panel.

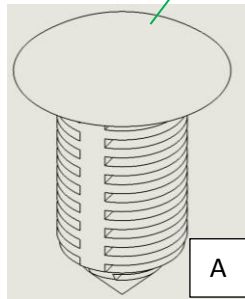
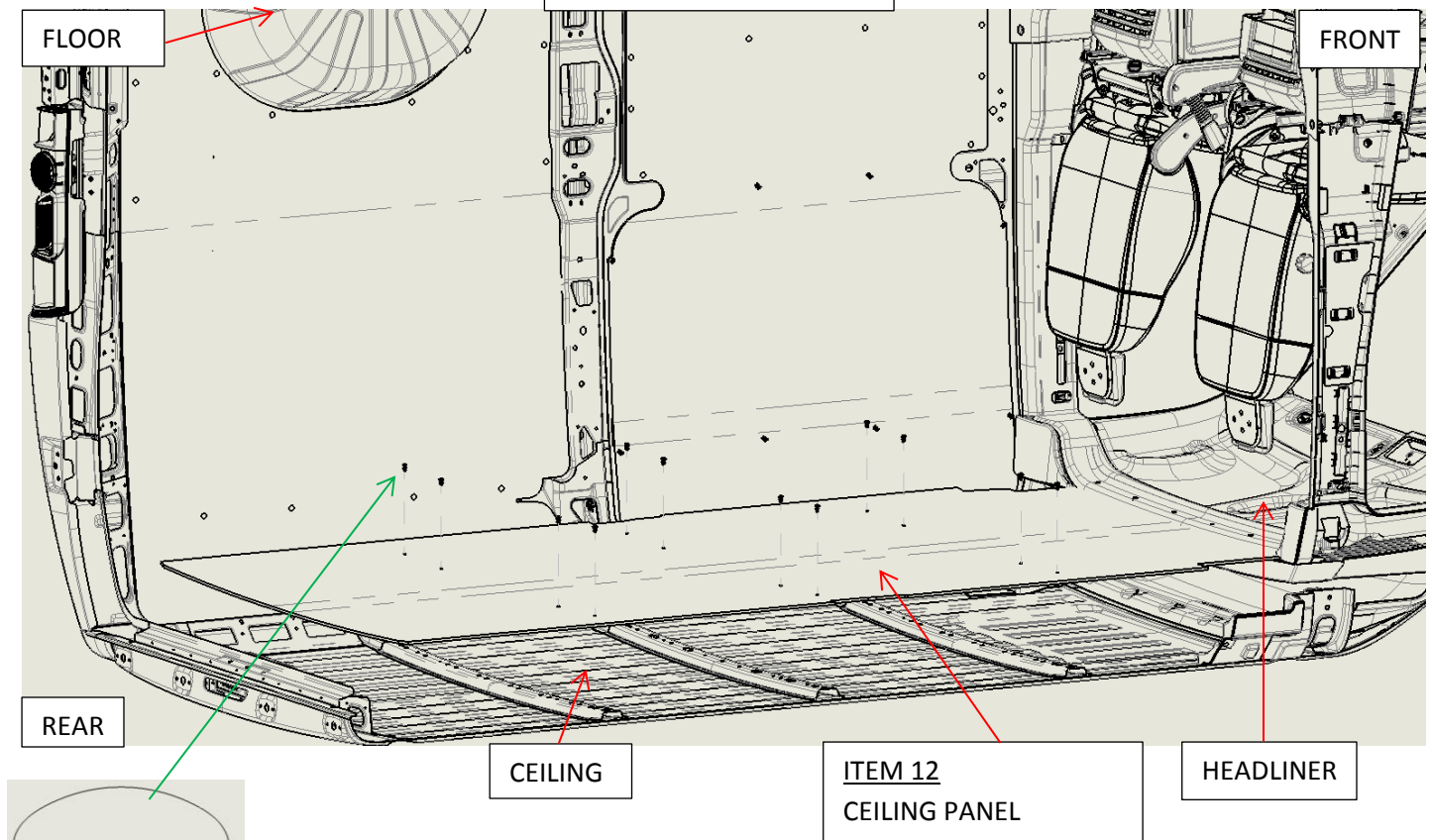
First remove OEM bottom panel.

Note: Sliding door must be closed to install panel;

- Insert panel into the sliding door sill cavity, align holes at the bottom half of the panel to the one on the door and insert hardware (A) in all of the holes provided.
- Install hardware (B, C) in the holes provided in the middle to the top part of the panel; make sure the panel does not interfere with the door seal.

Ceiling Liner Installation

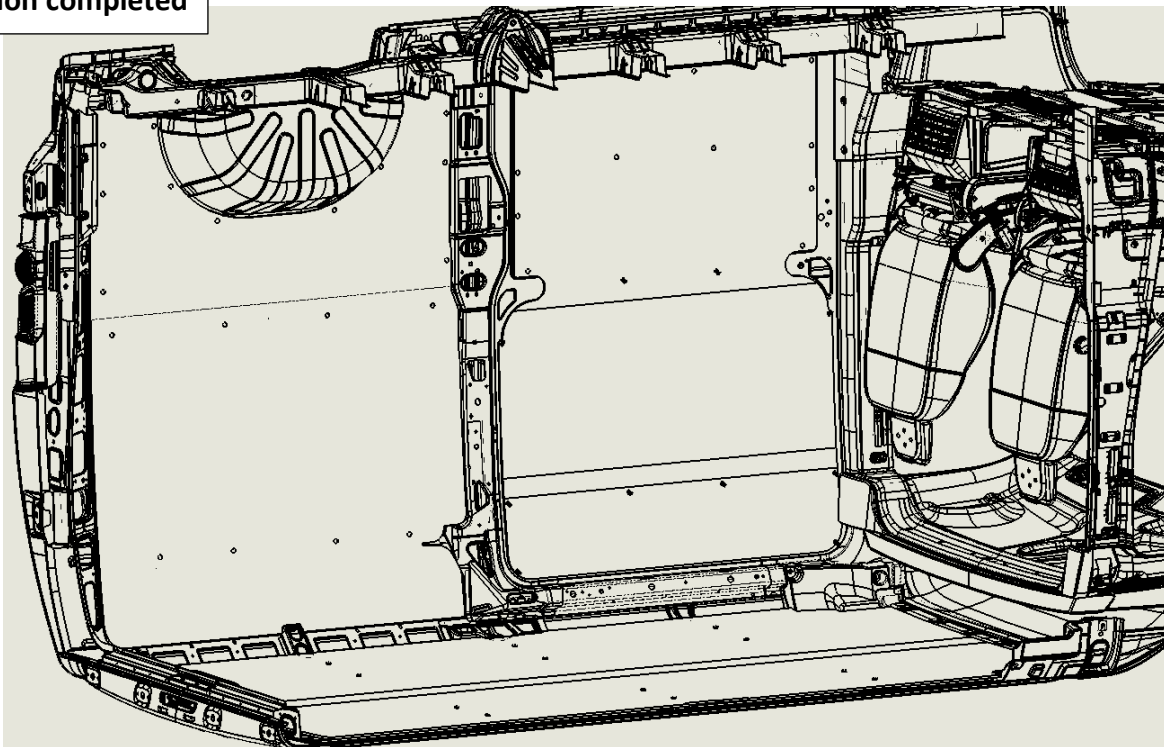
VEHICLE IS UPSIDE DOWN



6: Install Item 12, Ceiling Panel.

- Align Ceiling panel with the feature on the vehicle in the front, insert the front of the panel between the headliner and the roof.
- Align the outside holes at the center of the panel with the holes in the ceiling cross bows and install hardware (A) on each side; this will align the panel with the ceiling.
- Push the panel against the ceiling and install hardware (A), in the holes provided starting from the front working your way towards the rear.

Installation completed



Ceiling Sills Installation

VEHICLE IS UPSIDE DOWN

PASSENGER SIDE

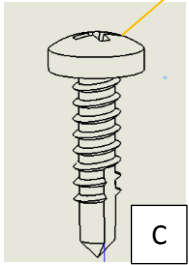
FRONT

ITEM 10
CEILING SILL D

WALL

ITEM 9
CEILING SILL C

CEILING



Z: Assemble Item 9 and item 10 together with the Item 6, Sill Joining Plate (SHOWN BELOW), with hardware (C) in the holes provided.

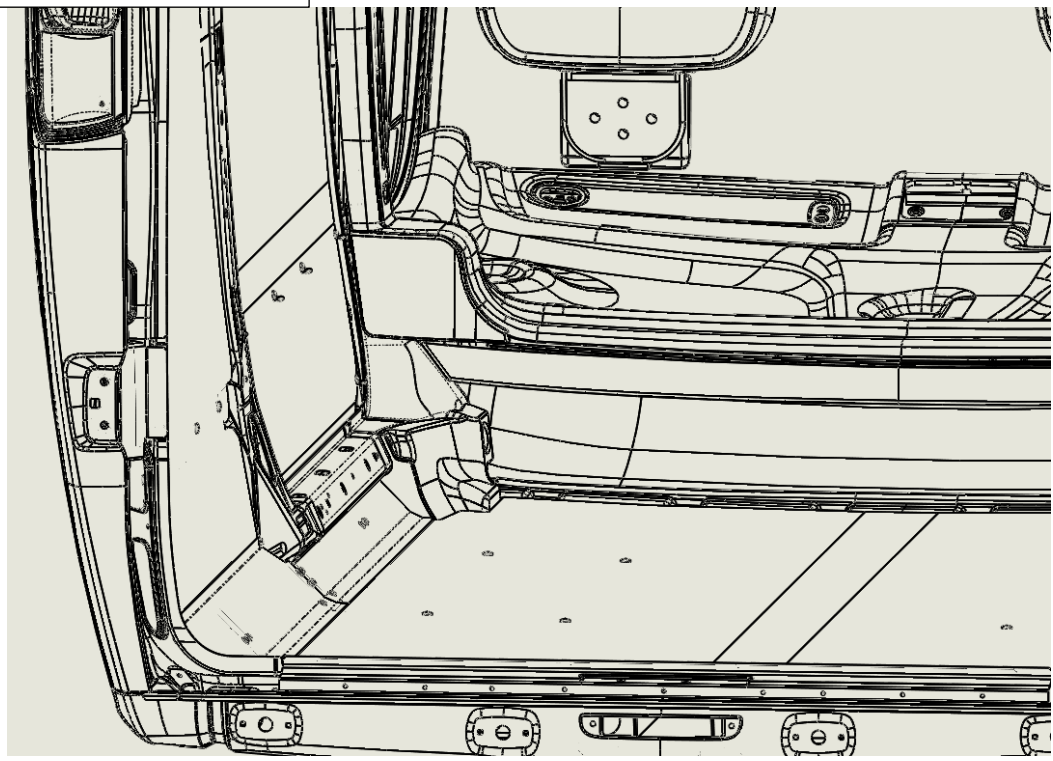
FOR DRIVER SIDE

- Assemble Item 3 and item 4 together with the Item 6, Sill Joining Plate (SHOWN BELOW), with hardware (C) in the holes provided.

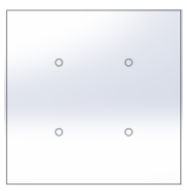
FOR PASSENGER SIDE

- Install the Sill assemblies on the Driver side as well as on the Passenger side using hardware (C) in the holes provided on the Sills.

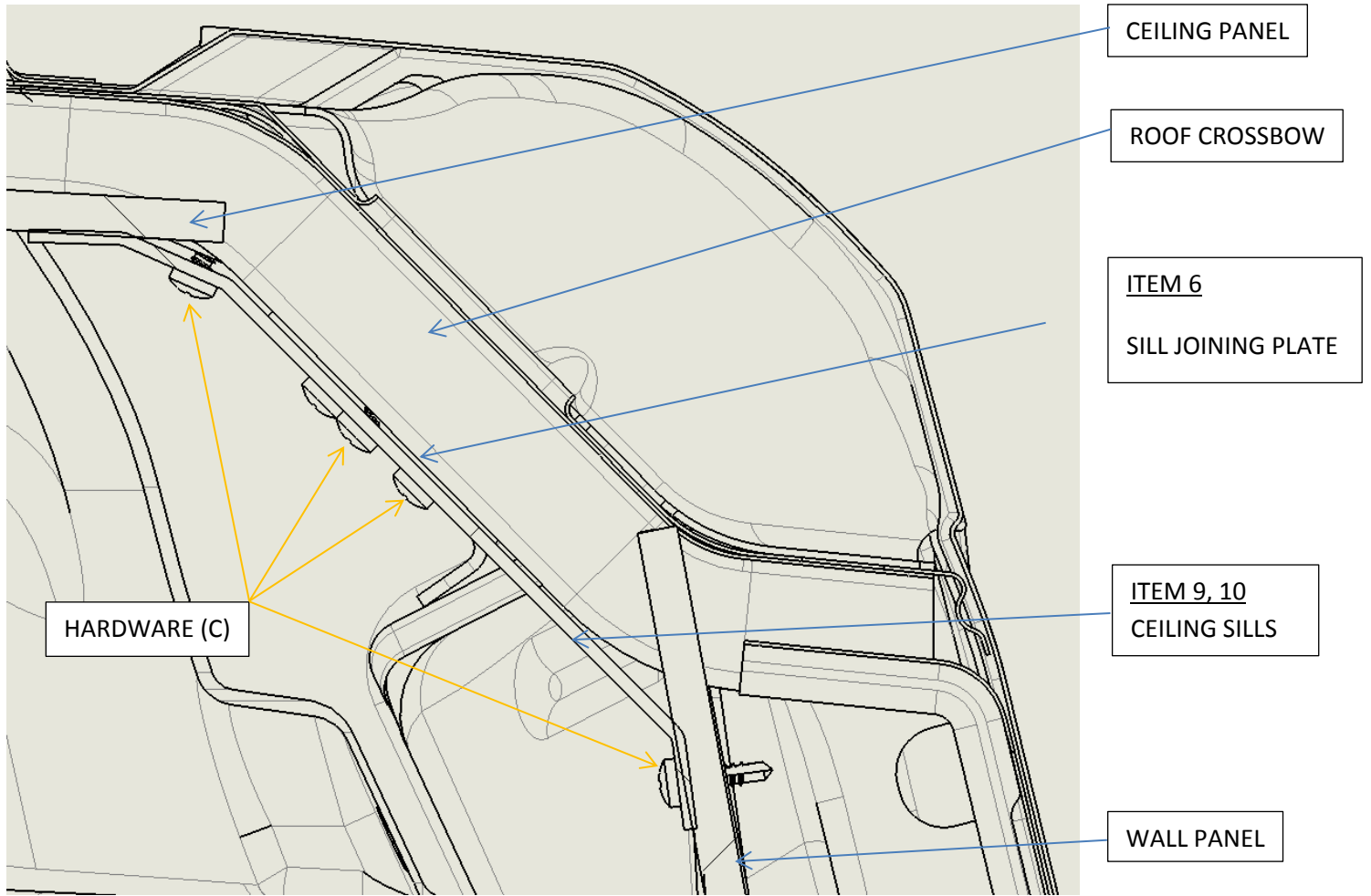
Installation completed



ITEM 6
SILL JOINING PLATE

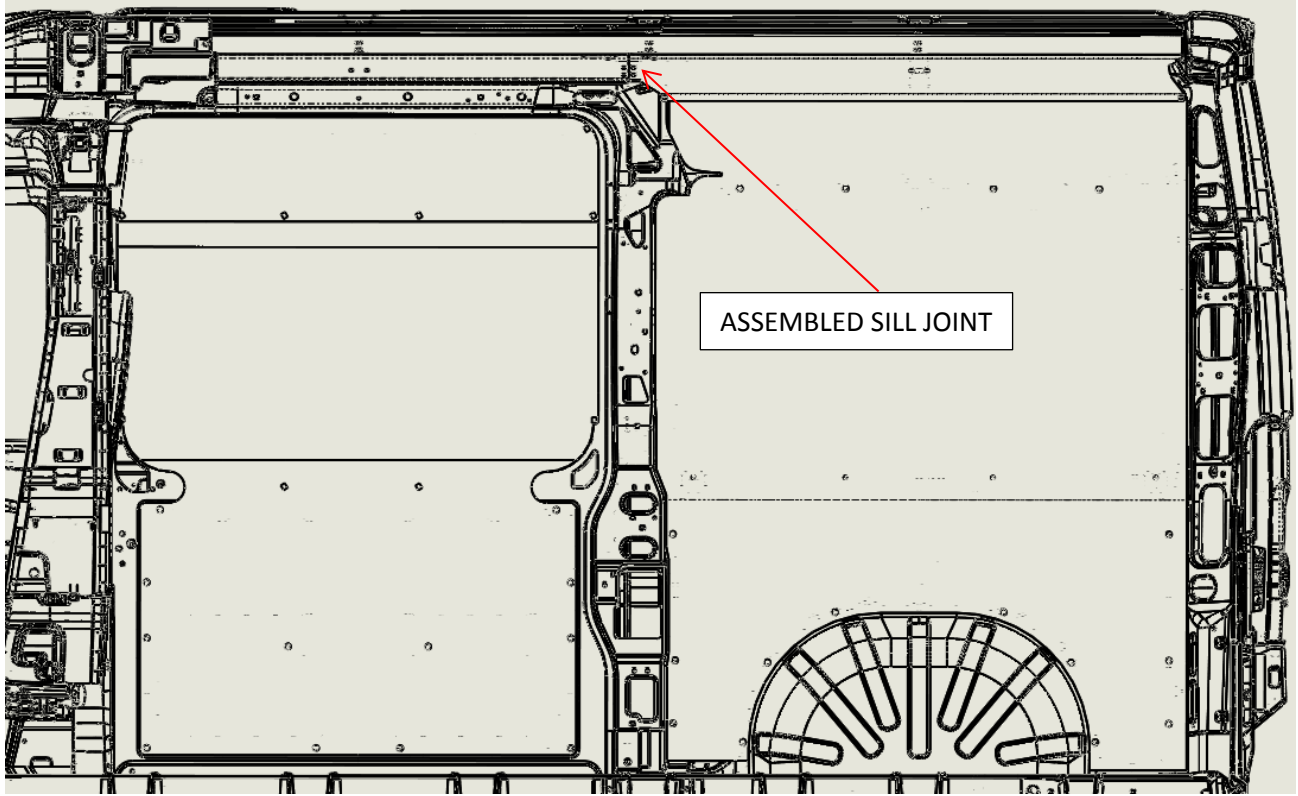


Ceiling Sills Installation Details

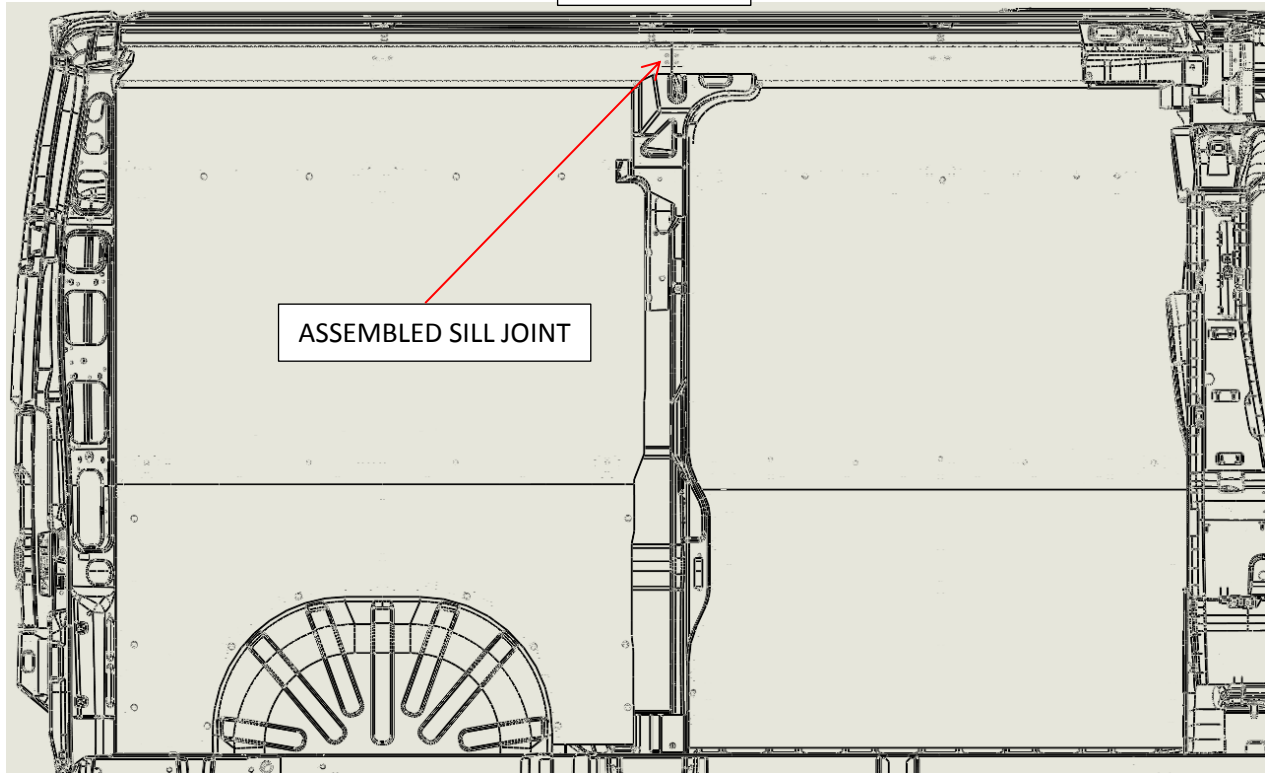


Installation completed

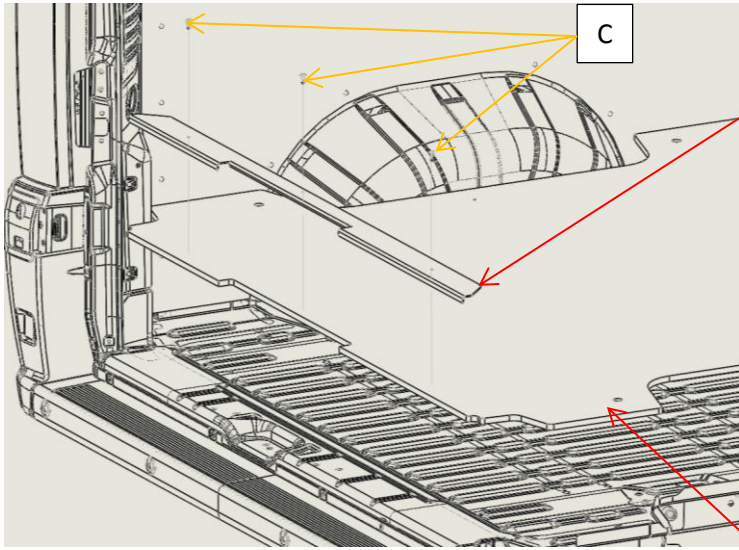
PASSENGER SIDE



DRIVER SIDE



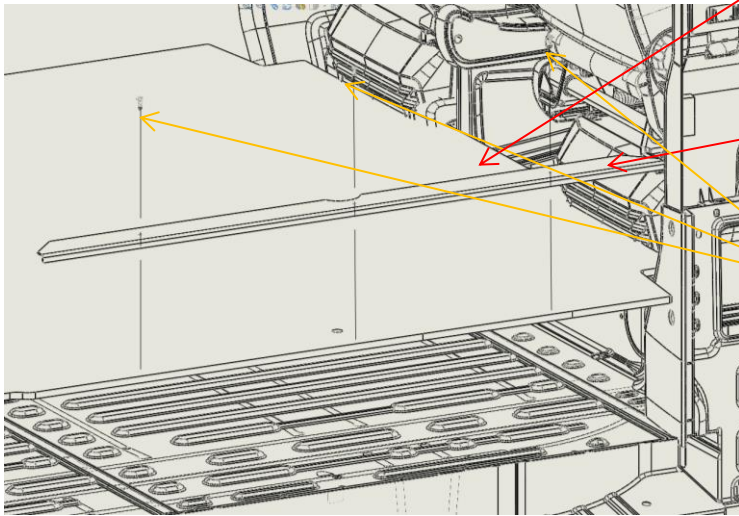
Floor and Floor Sill Installation



ITEM 15
FLOOR SILL – REAR DOOR

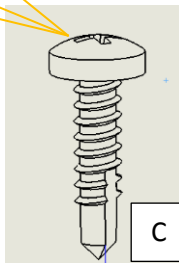
8: Install Items 13, FLOOR and Items 14, 15 FLOOR SILLS.

- Install floor inside the vehicle.
- Align the floor sills in their proper location with the floor edges and install hardware (c).



ITEM 13
FLOOR

ITEM 14
FLOOR SILL – SLIDING DOOR



C

Installation completed

