

PROMASTER 118" WB LOW ROOF WALL LINERS

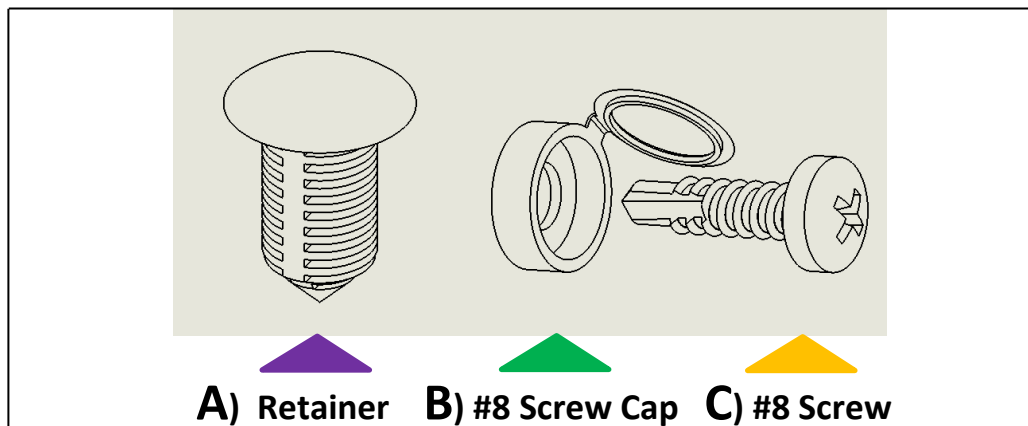
INSTALLATION INSTRUCTIONS



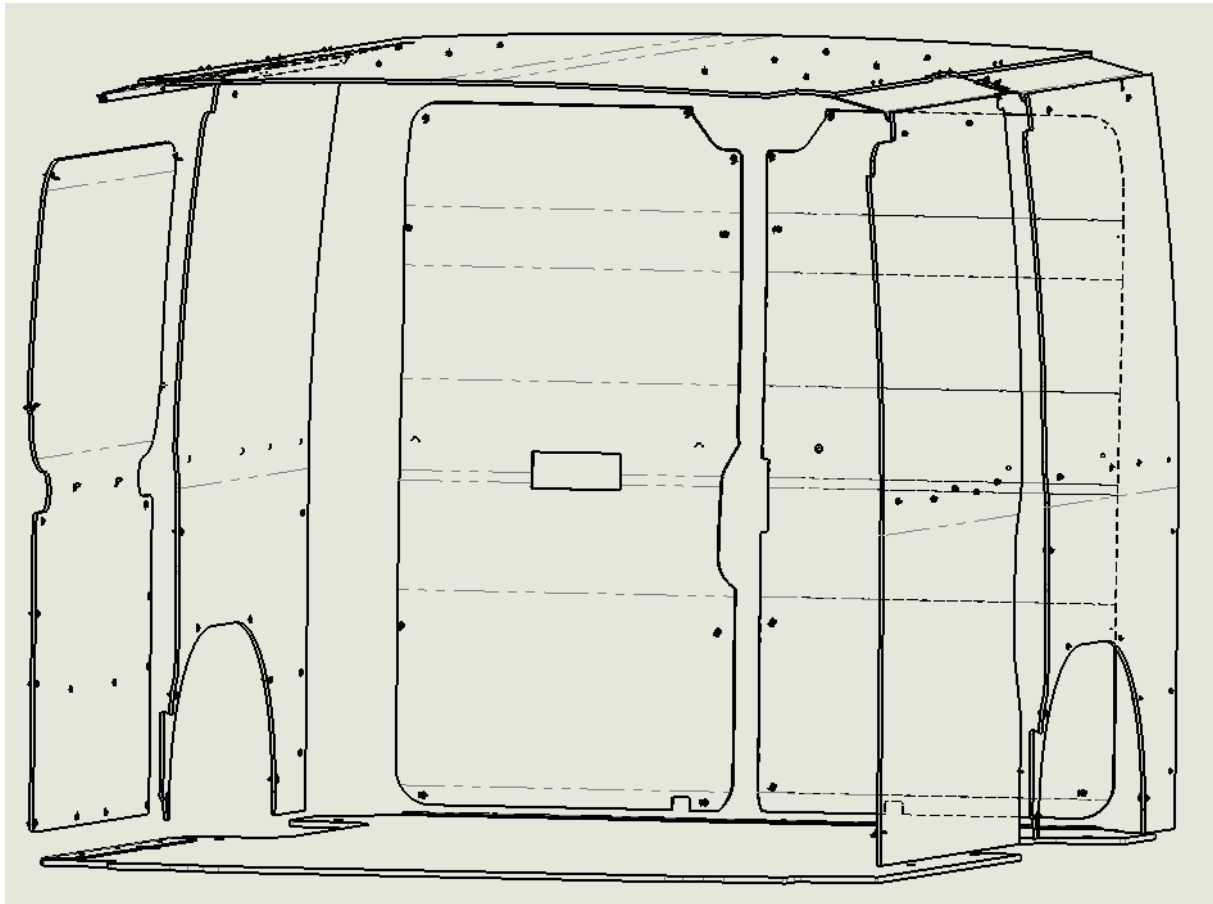
NOTES:

1. Before commencing, remove all wall liners and "D" Rings already installed in the vehicle.
2. Consult layout PDF and compare vehicle layout allocated Legend.
3. Prepare hardware shown below and have them ready for installation.
4. Wall liners will be installed in the order shown in the instructions.
5. A drill with a Phillips driver is required to install hardware (C) #8 Screws, shown below.
6. Reinstall all "D" Rings once the wall liner kit installation is completed.

Hardware



PROMASTER 118" WB LOW ROOF WALL LINERS



ITEM NO.	PART NUMBER	DESCRIPTION	QTY.
1	624-114-2613	GREY REAR WALL PANEL DRIVER SIDE PROMASTER 118" WB LR	1
2	624-114-2613	GREY FRONT WALL PANEL DRIVER SIDE PROMASTER 118" WB LR	1
3	RETAINER	RETAINER- BLACK NYLON	69
4	SCREW CAP	SCREW CAP	26
5	SCREW	SCREW - PHIL. PAN HD #8X.75 SELF DRILLING	66
6	624-114-2613	GREY REAR WALL PANEL PASSENGER SIDE PROMASTER 118" WB LR	1
7	625-114-2613	GREY CEILING PANEL PROMASTER 118" WB LR	1
8	623-114-2613	GREY SLIDING DOOR PANEL PROMASTER 118" WB LR	1
9	623-114-2613	GREY REAR DOOR PANEL PASSENGER SIDE PROMASTER 118" WB LR	1
10	623-114-2613	GREY REAR DOOR PANEL DRIVER SIDE PROMASTER 118" WB LR	1
11	622-xxx-6641	FLOOR - PROMASTER 118" WB	1
12	627-151-1010	CEILING SILL "A" REAR PASSENGER SIDE PROMASTER 118" WB LR	1
13	627-151-1010	CEILING SILL "B" FRONT PASSENGER SIDE PROMASTER 118" WB LR	1
14	627-151-1010	CEILING SILL "C" REAR DRIVER SIDE PROMASTER 118" WB LR	1
15	627-151-1010	CEILING SILL "D" FRONT DRIVER SIDE PROMASTER 118" WB LR	1
16	608-151-1010	REAR DOOR FLOOR SILL PROMASTER	1
17	626-151-1010	SIDE DOOR FLOOR SILL PROMASTER 118" WB	1
18	627-151-1010	JOINER PLATE- CEILING SILL	2

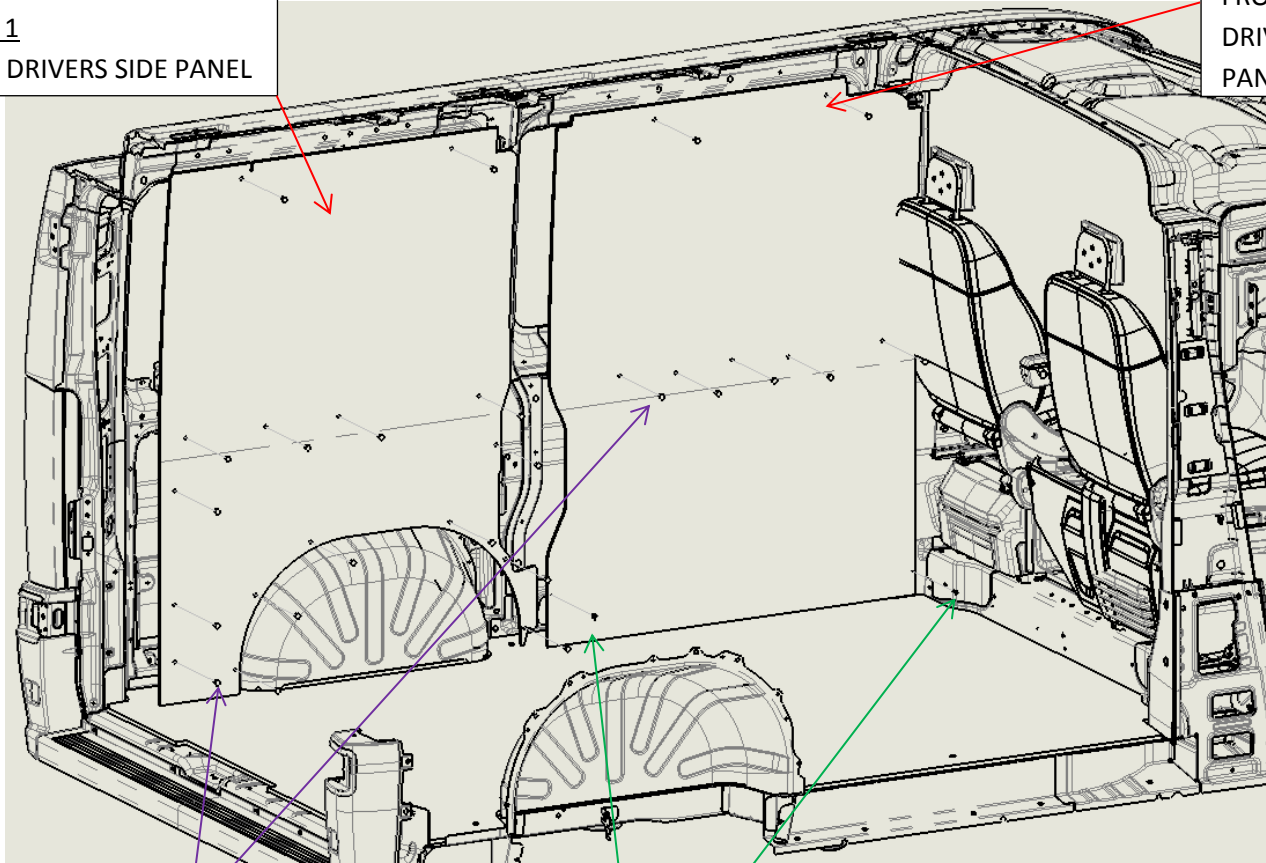
Note:

Model may differ depending if the vehicle purchased came with an OEM partition or not.

Driver Side Wall Liner Installation

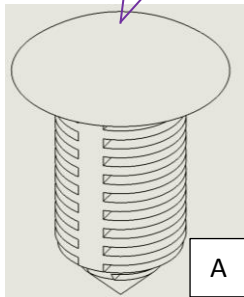
ITEM 1
REAR DRIVERS SIDE PANEL

ITEM 2
FRONT
DRIVERS SIDE
PANEL

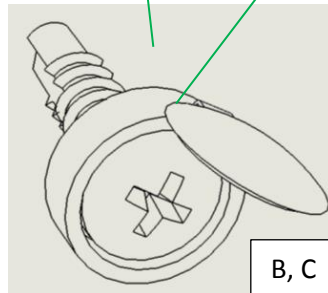


REAR

FRONT



A



B, C

Installation completed



1: Install Item 2, Front Driver Side Panel.

- Align notch and edge of panel with the feature on the vehicle driver side front then align opposite side of panel edge with the contour features.
- Install hardware (A) and (B,C), in the holes provided, on the bottom of the panel first, working your way up the panel to the top.

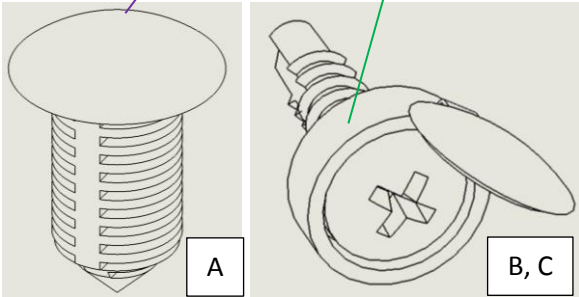
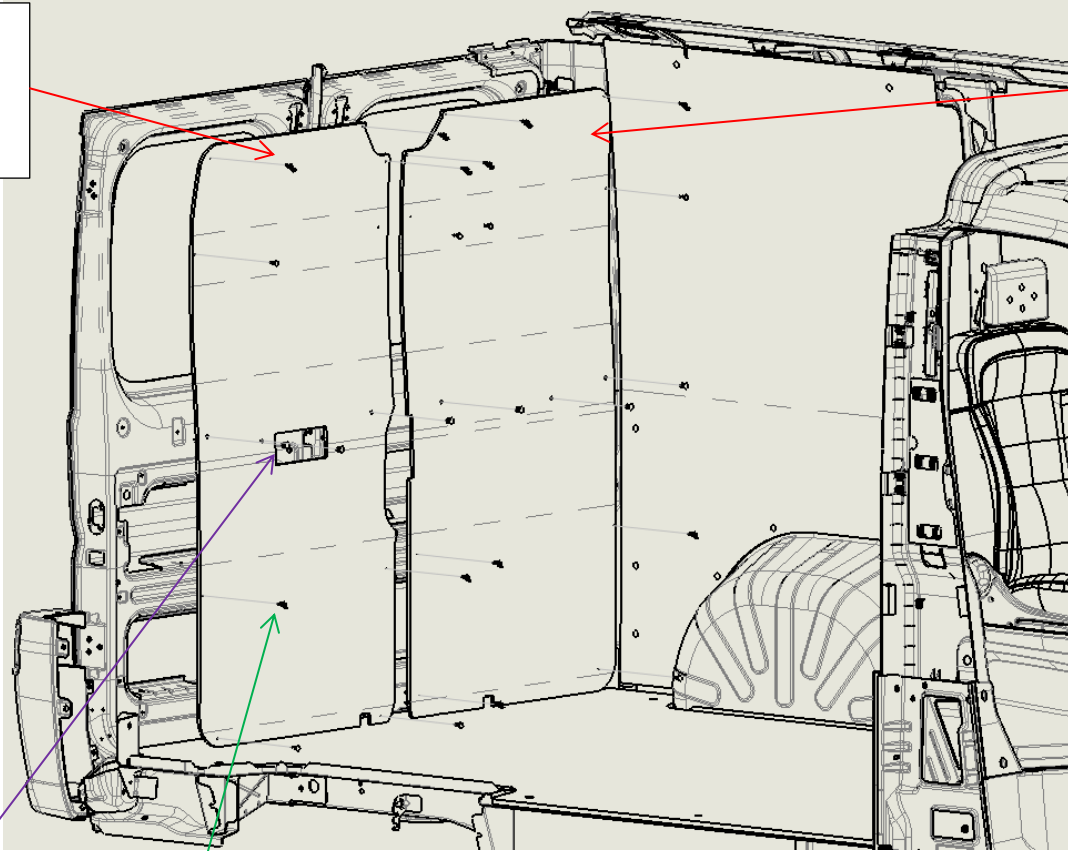
2: Install Item 1, Rear Driver Side Panels.

- Align wheel well edge of the panel with the feature on the vehicle; position the contour of the panel to the vehicle wall.
- Install hardware (A), in the holes provided, on the bottom of the panel first, working your way up the panel to the top.

Back Door Wall Liner Installation

ITEM 9
REAR DOOR
PASSENGER SIDE
PANEL

ITEM 10
REAR DOOR
DRIVERS SIDE
PANEL

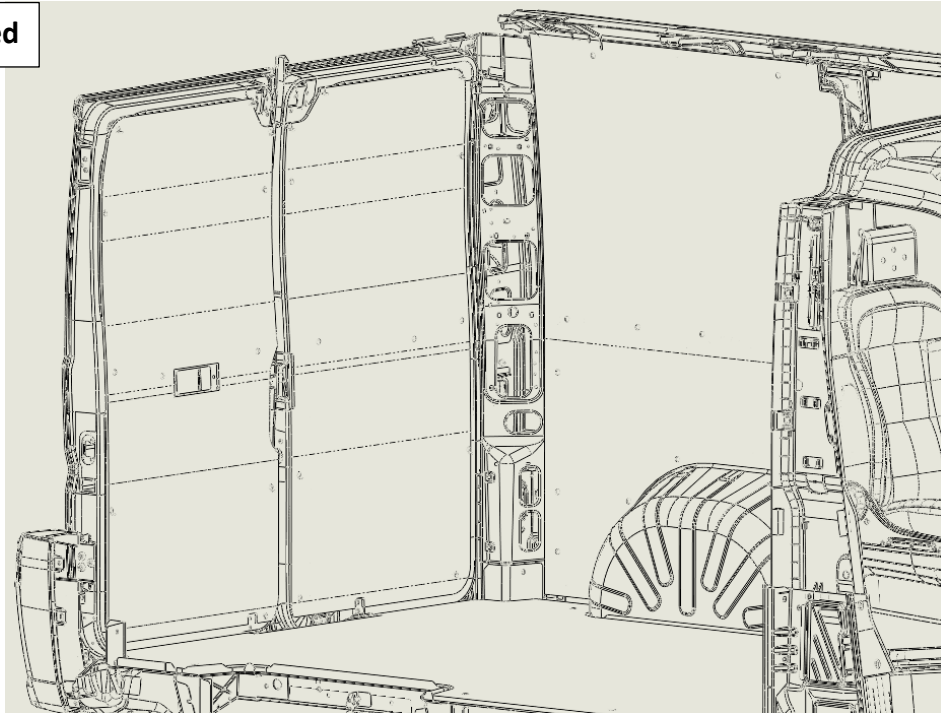


3: Install Item 9 and 10, Rear door panels,

Note: Rear doors must be closed when installing door panels.

- Align the panels with the upper door contours, do not mount tight against the door seals.
- Install hardware (A) first in the holes provided, this will align the panel then install hardware (B, C) on the top of the panel first, working your way down the panel to the bottom.

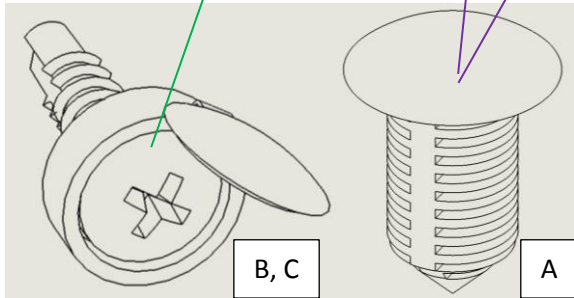
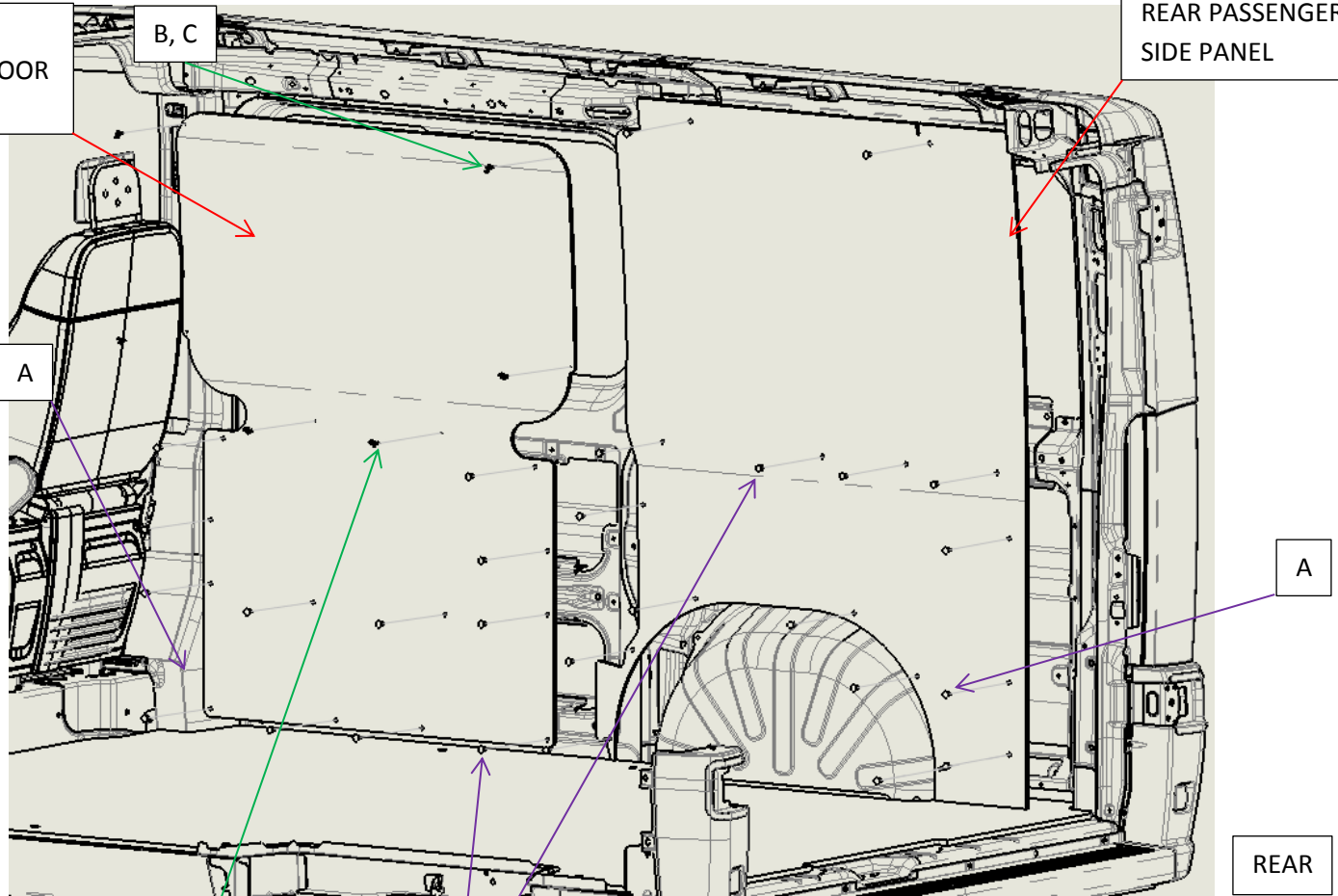
Installation completed



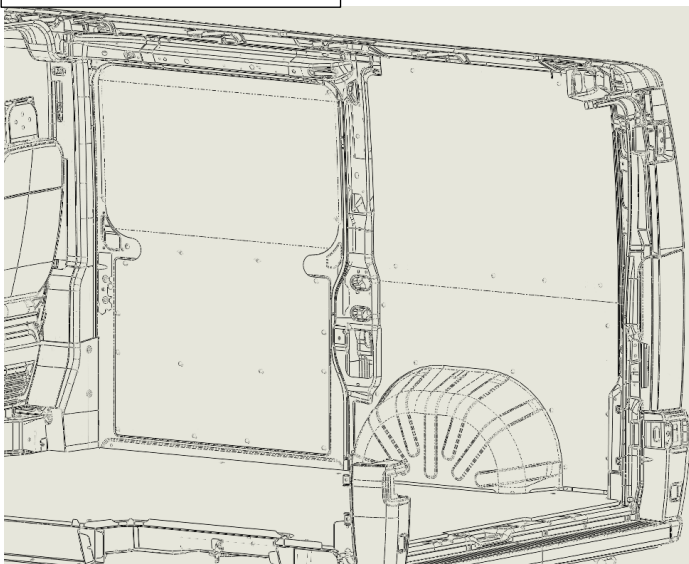
Passenger Side Wall Liner Installation

ITEM 8
SLIDING DOOR
PANEL

ITEM 6
REAR PASSENGER
SIDE PANEL



Installation completed



4: Install Item 6, Rear Passenger Side Panel.

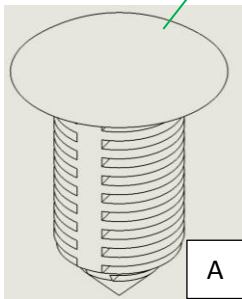
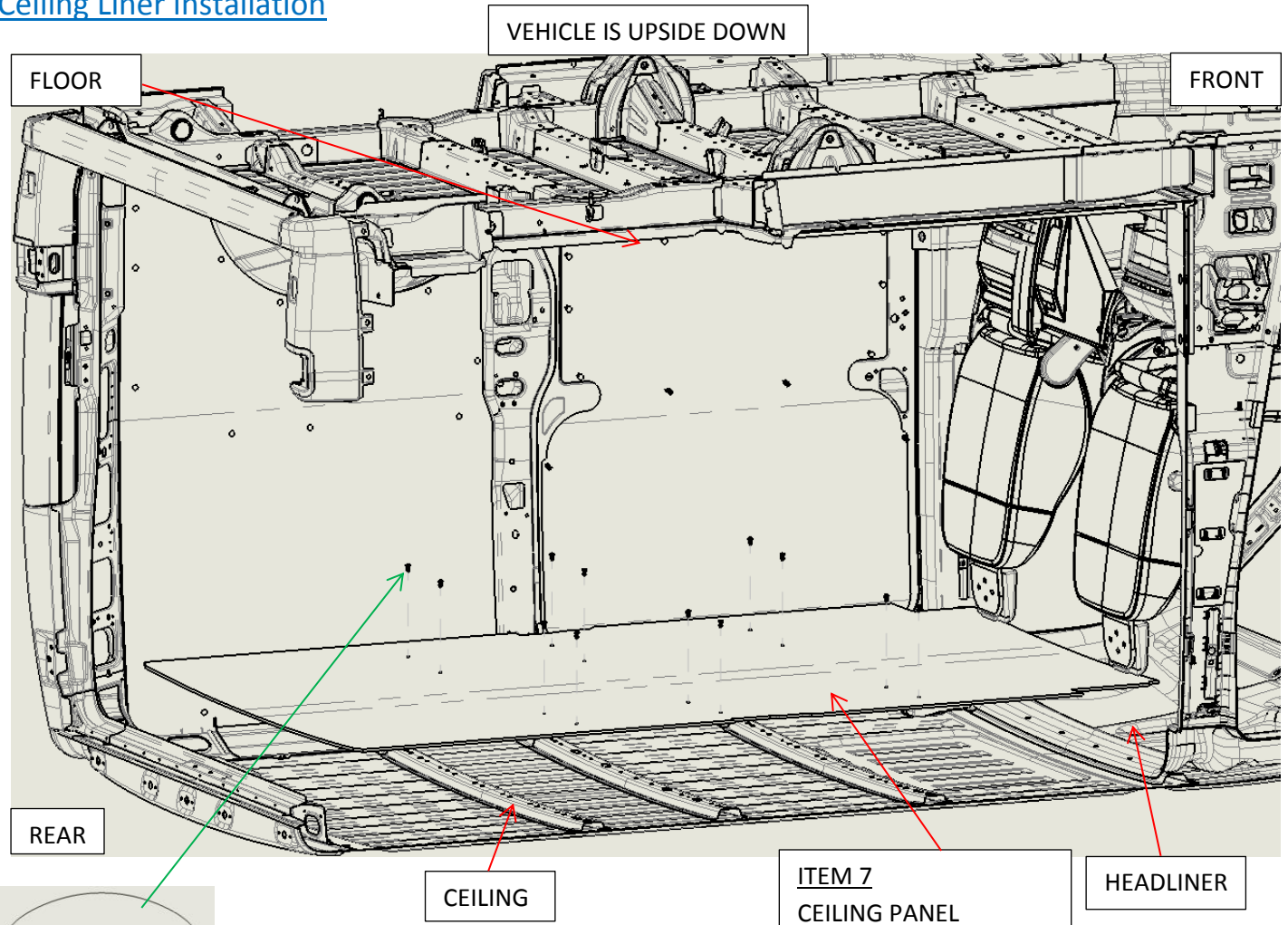
- Align wheel well edge of the panel with the feature on the vehicle; position the contour of the panel to the vehicle wall.
- Install hardware (A), in the holes provided, on the bottom of the panel first, working your way up the panel to the top.

5: Install Item 8, Sliding Door Panel. First remove OEM bottom panel.

Note: Sliding door must be closed to install panel;

- Insert panel into the sliding door sill cavity, align holes at the bottom half of the panel to the one on the door and insert hardware (A) in all of the holes provided.
- Install hardware (B, C) in the holes provided in the middle to the top part of the panel; make sure the panel does not interfere with the door seal.

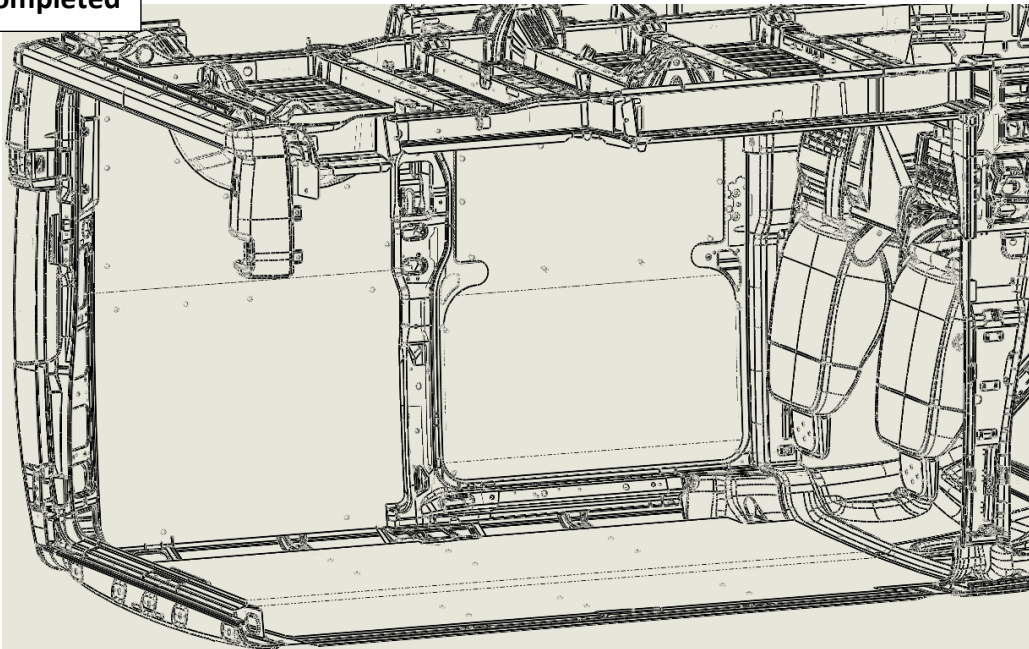
Ceiling Liner Installation



6: Install Item 7, Ceiling Panel.

- Align Ceiling panel with the feature on the vehicle in the front, insert the front of the panel between the headliner and the roof.
- Align the outside holes at the center of the panel with the holes in the ceiling cross bows and install hardware (A) on each side; this will align the panel with the ceiling.
- Push the panel against the ceiling and install hardware (A), in the holes provided starting from the front working your way towards the rear.

Installation completed



Ceiling Sills Installation

VEHICLE IS UPSIDE DOWN

PASSENGER SIDE

FRONT

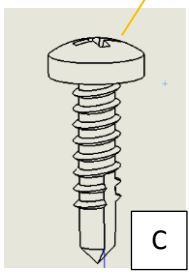
ITEM 12
CEILING SILL B

WALL

REAR

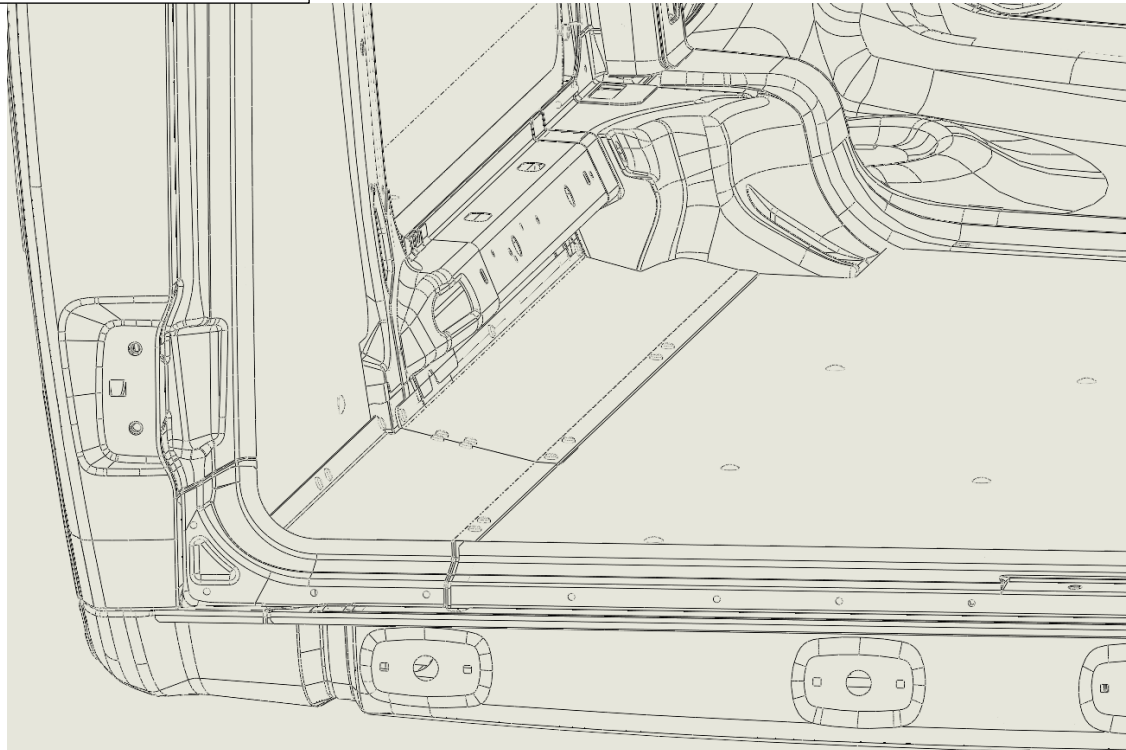
ITEM 13
CEILING SILL A

CEILING

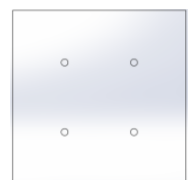


- 7: FOR DRIVER SIDE**
- Assemble Item 14 and item 15 together with the Item 18, Sill Joining Plate (SHOWN BELOW), with hardware (C) in the holes provided.
- FOR PASSENGER SIDE**
- Assemble Item 12 and item 13 together with the Item 18, Sill Joining Plate (SHOWN BELOW), with hardware (C) in the holes provided.
 - Install the Sill assemblies on the Driver side as well as on the Passenger side using hardware (C) in the holes provided on the Sills.

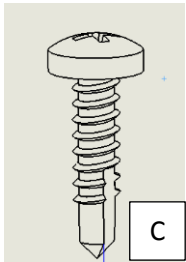
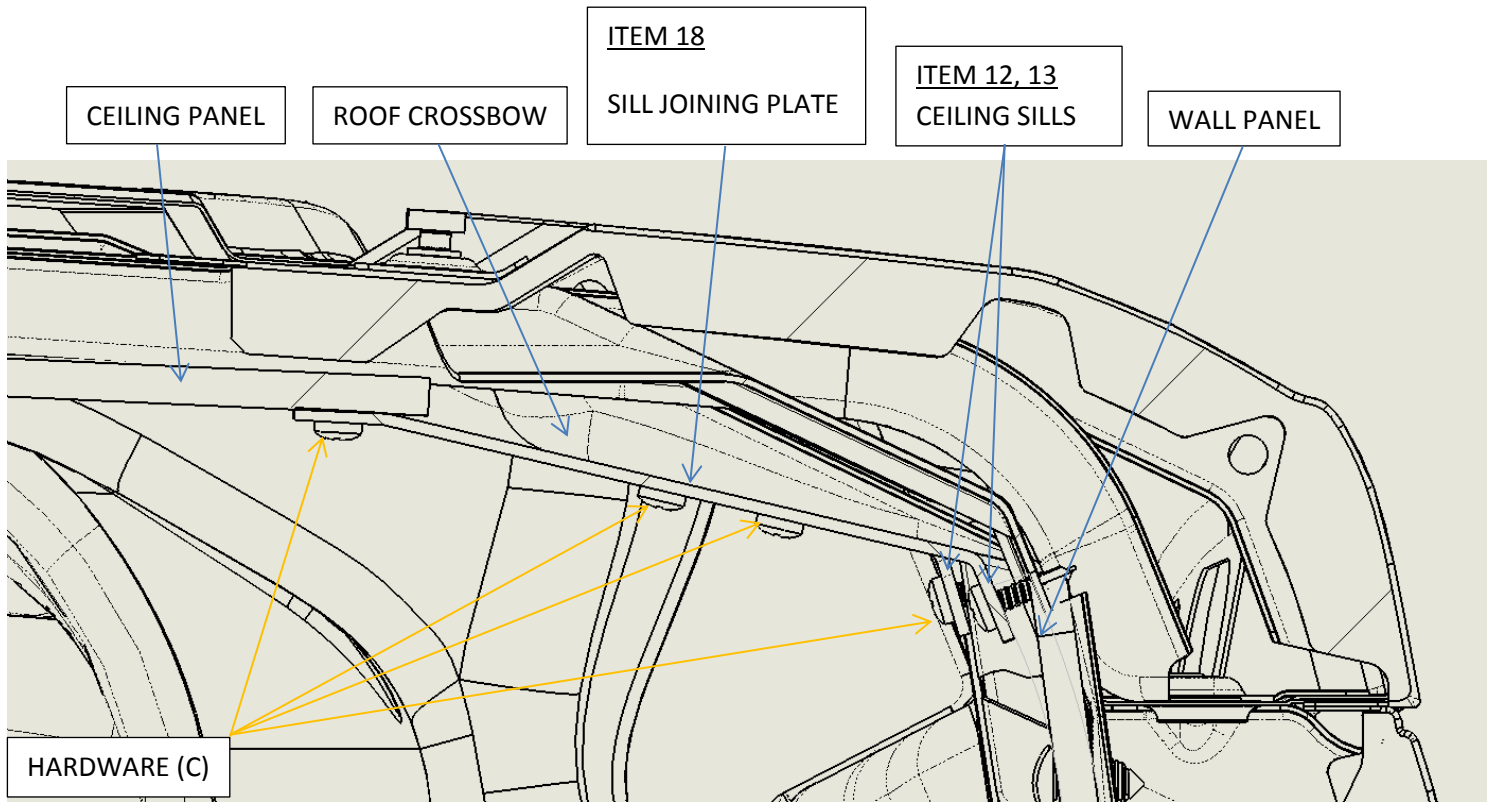
Installation completed



ITEM 18
SILL JOINING PLATE

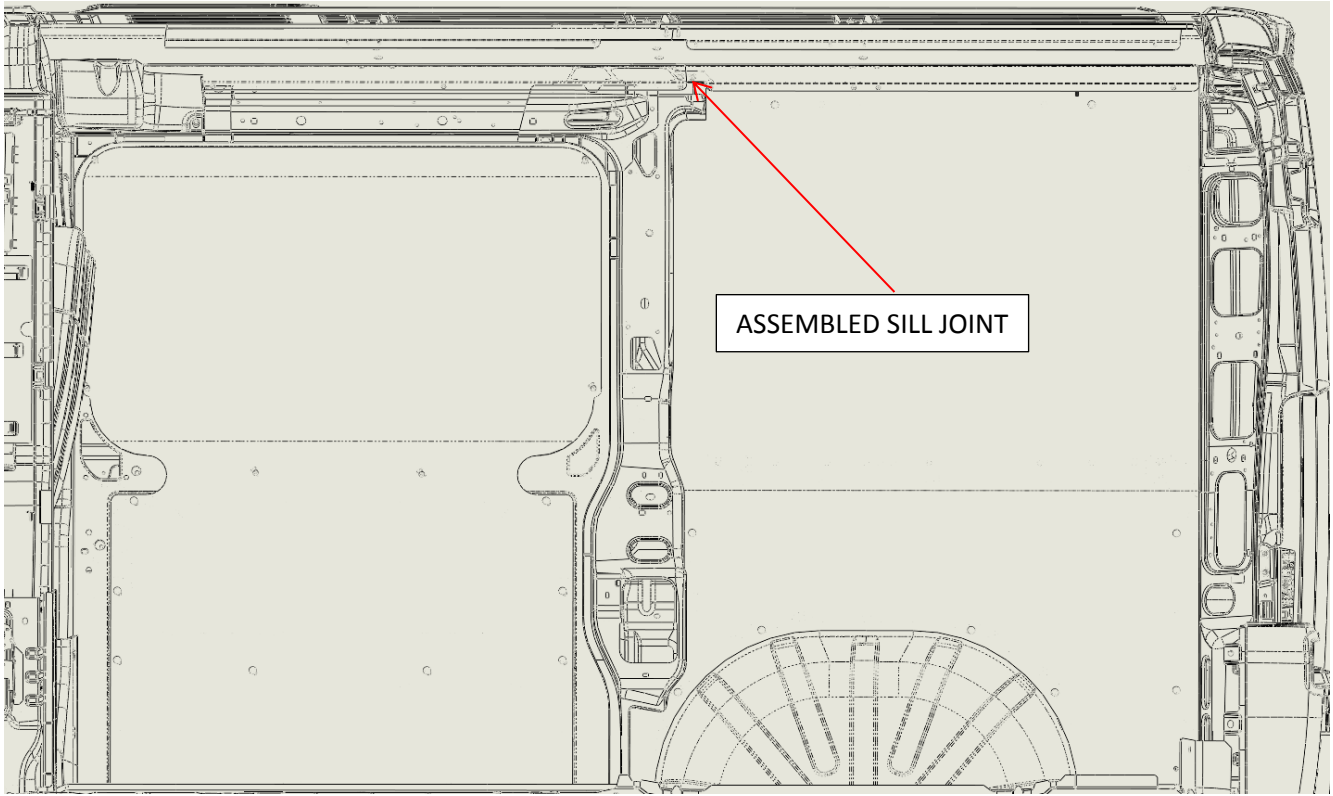


Ceiling Sills Installation Details

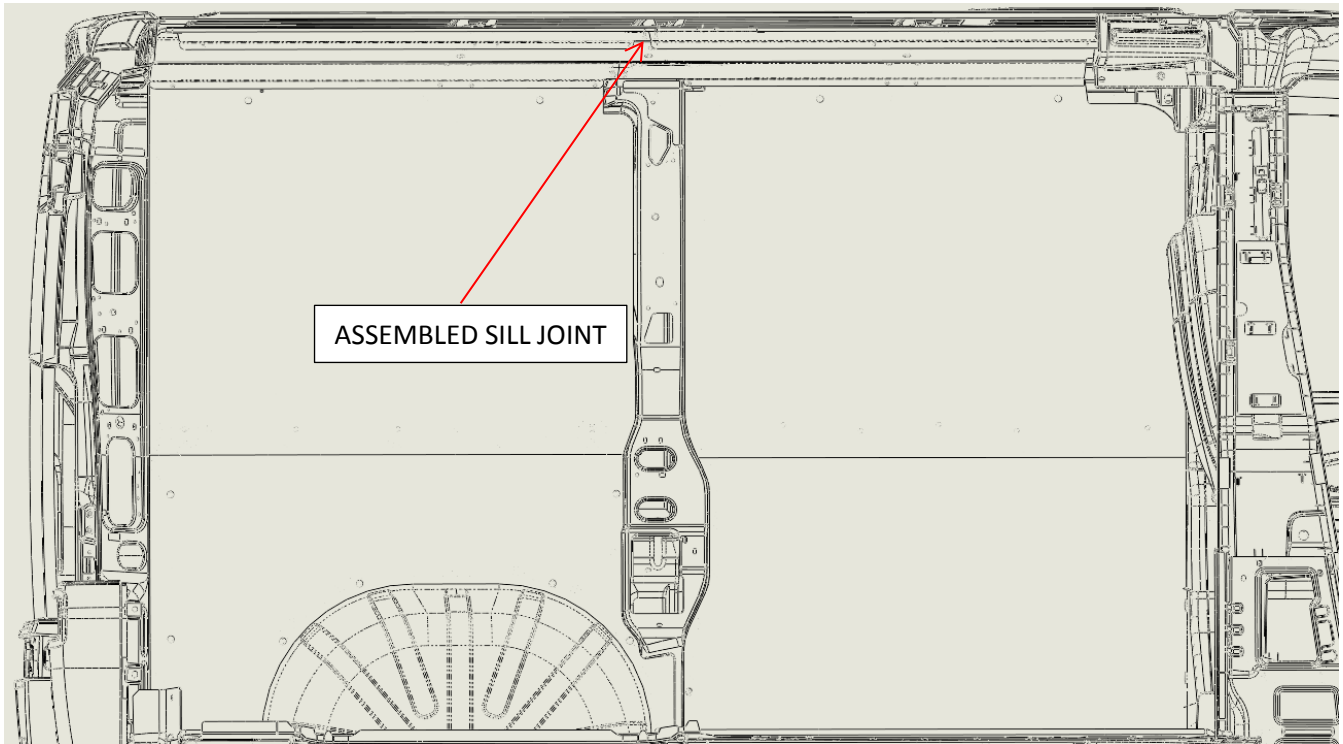


Installation completed

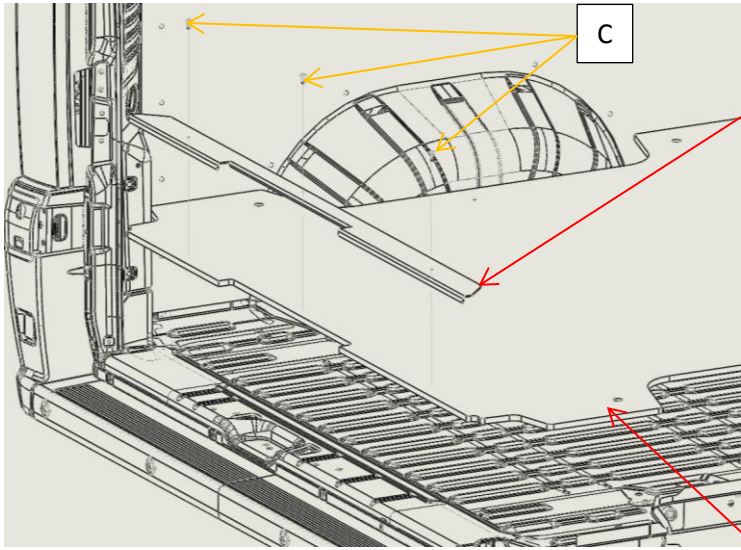
PASSENGER SIDE



DRIVER SIDE



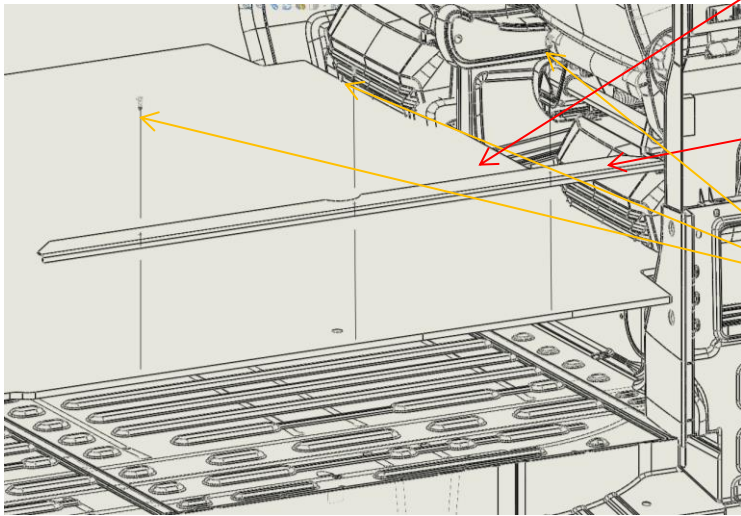
Floor and Floor Sill Installation



ITEM 16
FLOOR SILL – REAR DOOR

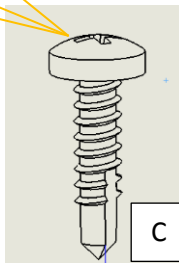
8: Install Items 11, FLOOR and Items 16, 17 FLOOR SILLS.

- Install floor inside the vehicle.
- Align the floor sills in their proper location with the floor edges and install hardware (c).



ITEM 11
FLOOR

ITEM 17
FLOOR SILL – SLIDING DOOR



C

Installation completed

